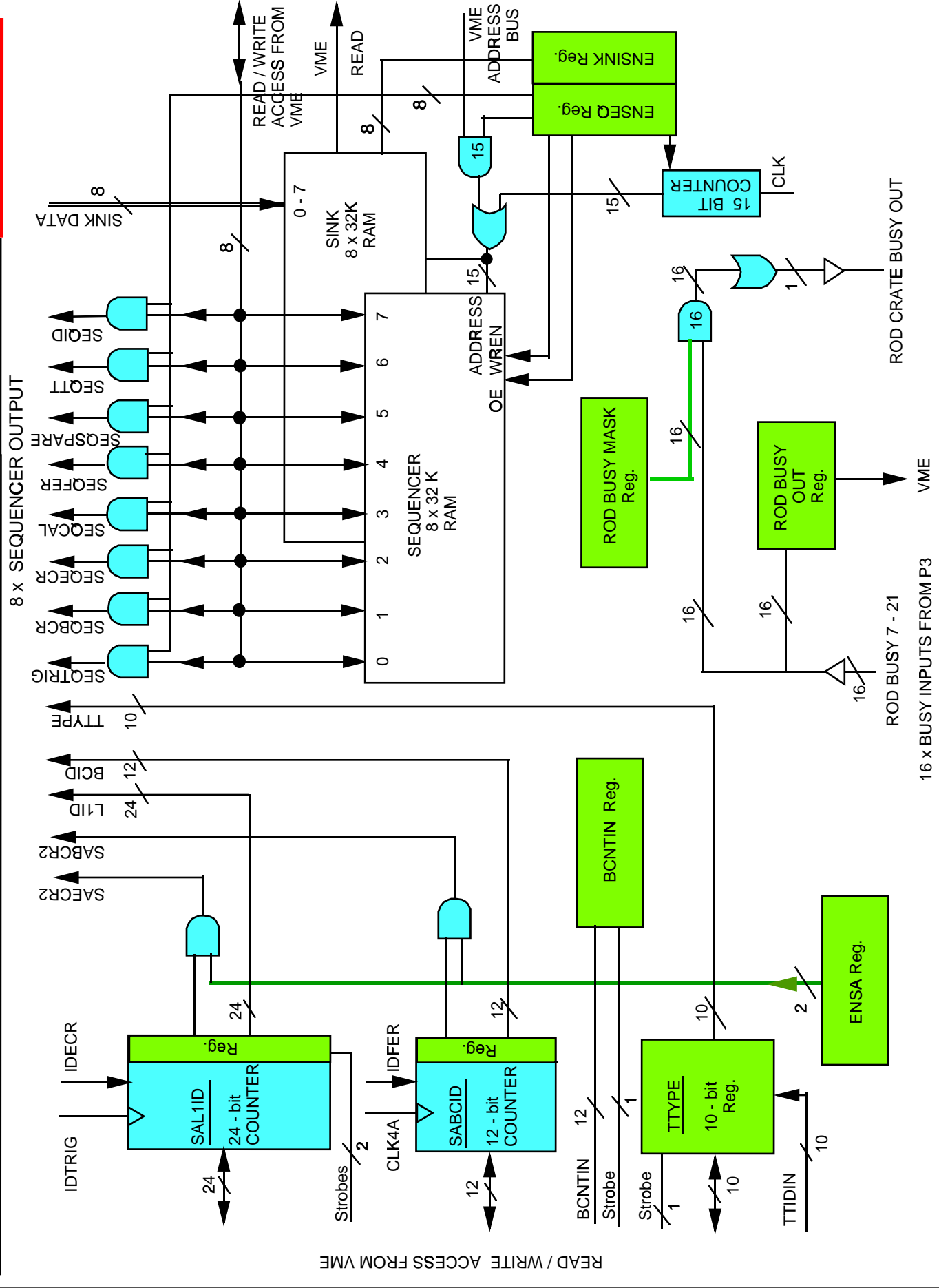


ATLAS - SCT "TIM" SCHEMATICS 3 : ID & SEQUENCER / SINK

MP/TJF UCL 24 JUL 00

TIM - SCH - 04



READ / WRITE ACCESS FROM VME