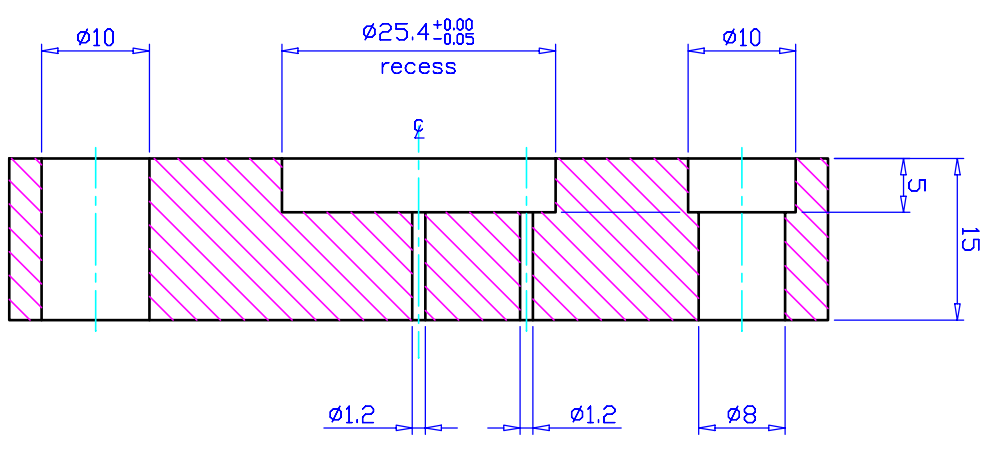


Material: natural DELRIN



Section through C/L

Dimensions in mm unless otherwise stated GEN. TOL. ± 0.1		THE UNIVERSITY OF MANCHESTER DEPARTMENT OF PHYSICS AND ASTRONOMY HIGH ENERGY GROUP	
DESIGNER	DATE	SCALE	SHEET NO.
J.Froststone	05/01/07	2:1	1 OF 1
UCL Cell - End Cap		FILE NO.	REV
		A3 MP07002_01.dwg	MP07002_01
		AutoCAD R14	