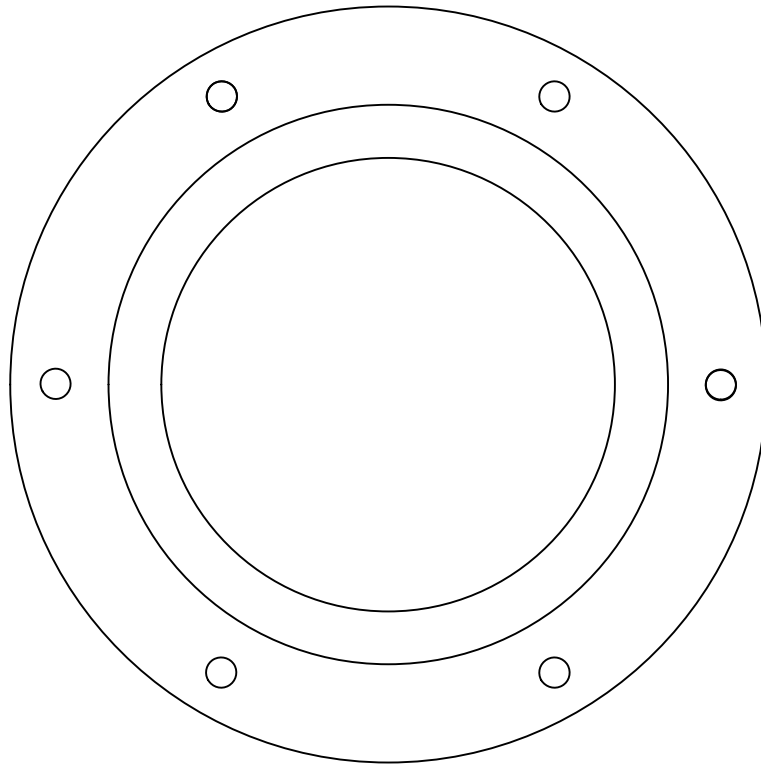
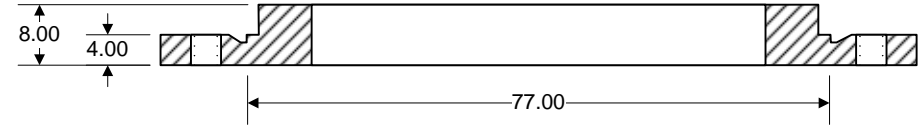
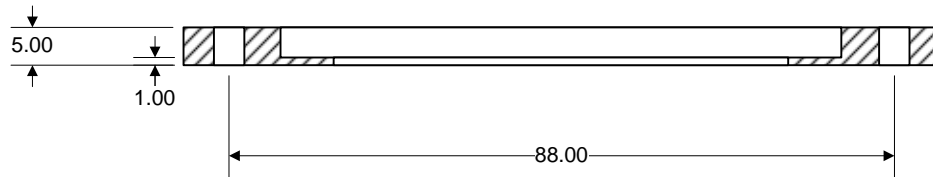
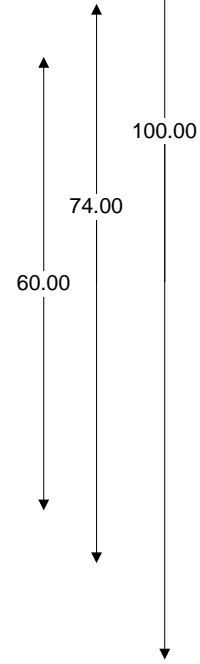
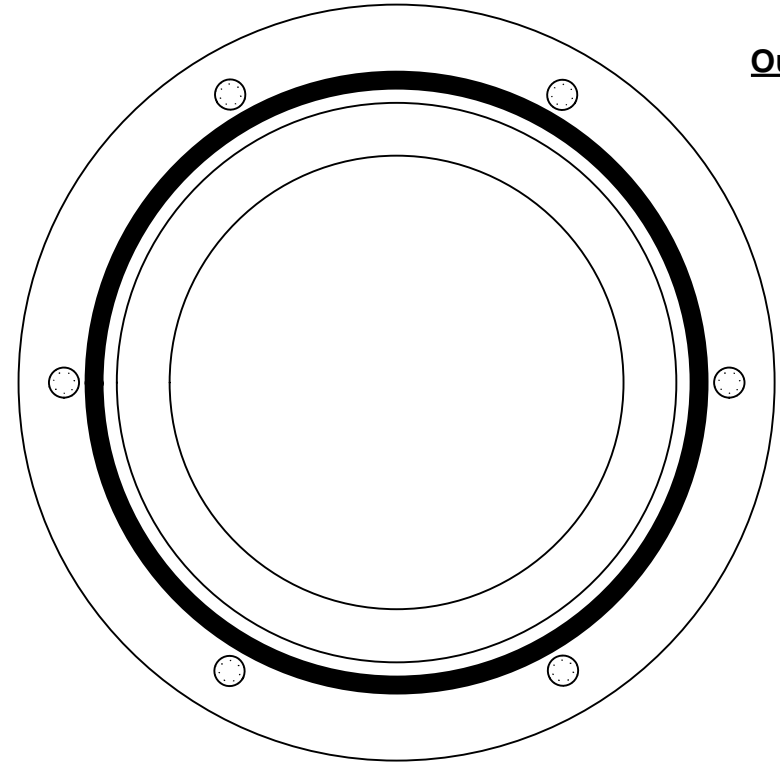


**Inner**



**Outer**

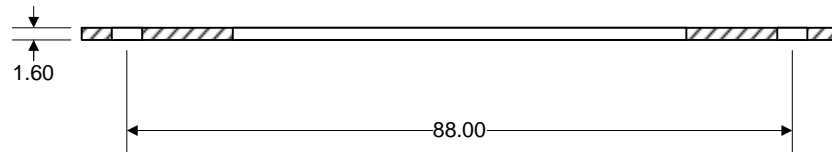
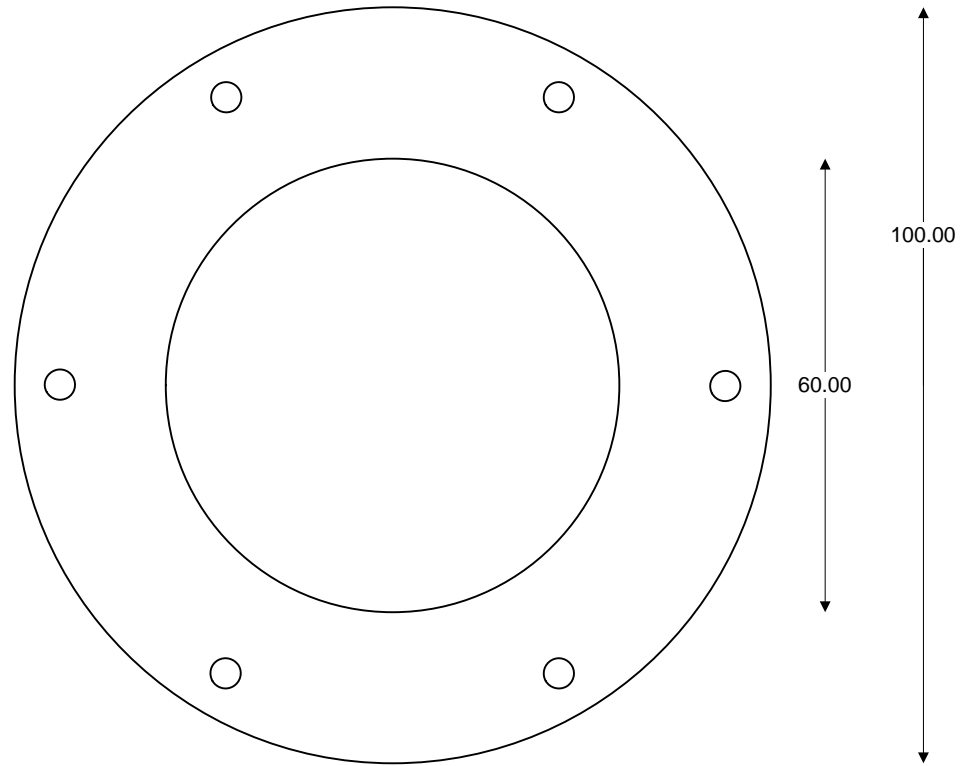


Material - Perspex

All holes are M4.

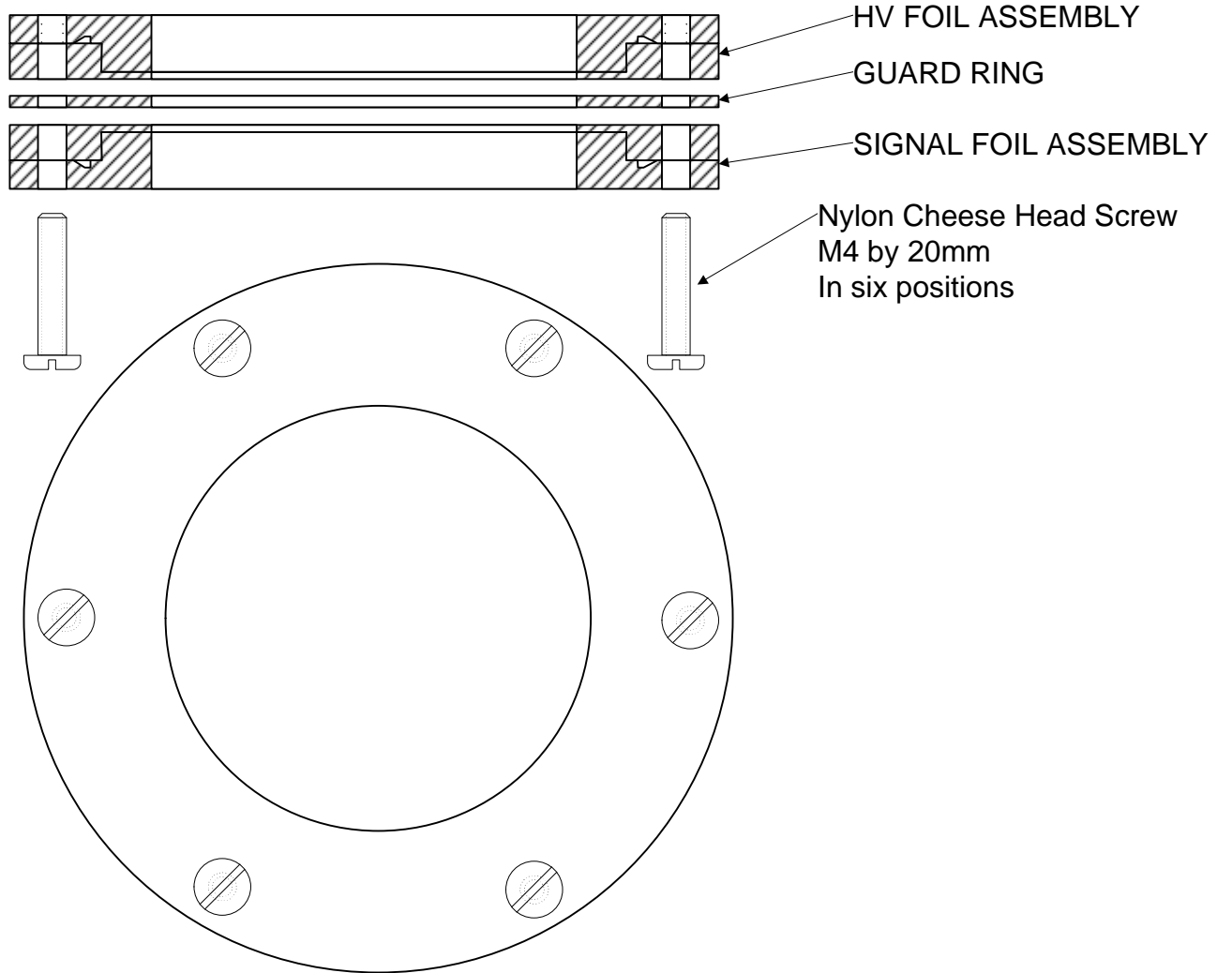
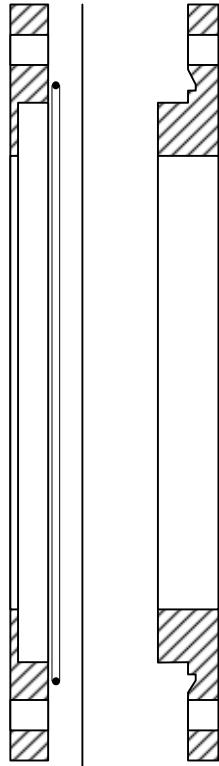
The outer part is shown as tapped, but this only applies to the HV foil assembly on the signal foil assembly these are clearance holes

Douglas Cyclotron Clatterbridge Centre of Oncology Clatterbridge Road Merseyside CH63 4JY United Kingdom		ION CHAMBER - PROTON BEAMLINE			
		FOIL CLAMP - Inner and outer pieces			
DRAWN BY B.MARSLAND	SIZE A4	ALL DIMENSIONS IN MILLIMETRES	DWG NO CCO/CYC/???	REV A	
DATE 29 July 2003	SCALE 1:1	© CCO 2003	SHEET 1 OF 3		

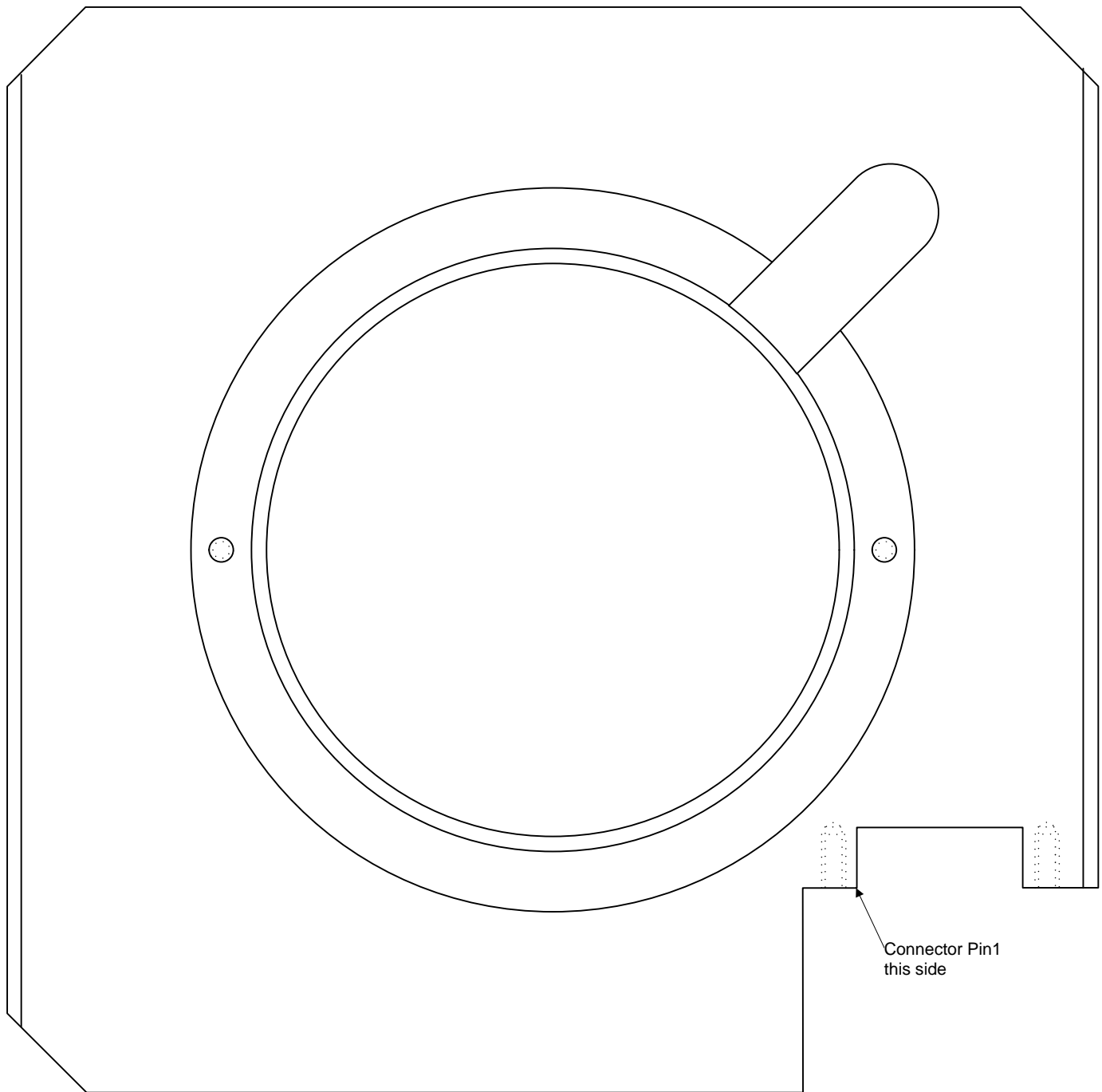


Material - Brass

Douglas Cyclotron Clatterbridge Centre of Oncology Clatterbridge Road Merseyside CH63 4JY United Kingdom	<b>ION CHAMBER - PROTON BEAMLIN</b>			
	<b>GUARD RING</b>			
DRAWN BY <b>B.MARSLAND</b>	SIZE <b>A4</b>	ALL DIMENSIONS IN MILLIMETRES	DWG NO <b>CCO/CYC/???</b>	REV <b>A</b>
DATE <b>29 July 2003</b>	SCALE <b>1:1</b>	© <b>CCO 2003</b>	SHEET <b>2 OF 3</b>	



Douglas Cyclotron Clatterbridge Centre of Oncology Clatterbridge Road Merseyside CH63 4JY United Kingdom		ION CHAMBER - PROTON BEAMLIN			
		ASSEMBLY			
DRAWN BY	B.MARSLAND	SIZE	ALL DIMENSIONS IN MILLIMETRES	DWG NO	REV
DATE	29 July 2003	A4		CCO/CYC/???	A
		SCALE	1:1	© CCO 2003	SHEET 3 OF 3



<u>Pin</u>	<u>Signal</u>	<u>Ion Chamber</u>
1	N/C	
2	Signal	Foil Assembly 1
3	Shield(Signal)	Guard Ring
4	N/C	
5	HV1	Foil Assembly 2 A side
6	Shield(HV1)	HV1-HV2 Shield
7	Shield(HV2)	HV2-HV1 Shield
8	HV2	Foil Assembly 2 B side

Douglas Cyclotron Clatterbridge Centre of Oncology Clatterbridge Road Merseyside CH63 4JY United Kingdom		<b>ION CHAMBER - PROTON BEAMLINE</b>		
		<b>CARRIER</b>		
DRAWN BY <b>B.MARSLAND</b>	SIZE <b>A4</b>	ALL DIMENSIONS IN MILLIMETRES	DWG NO <b>CCO/CYC/???</b>	REV <b>A</b>
DATE <b>29 July 2003</b>	SCALE <b>1:1</b>	© <b>CCO 2003</b>	SHEET <b>4 OF 4</b>	