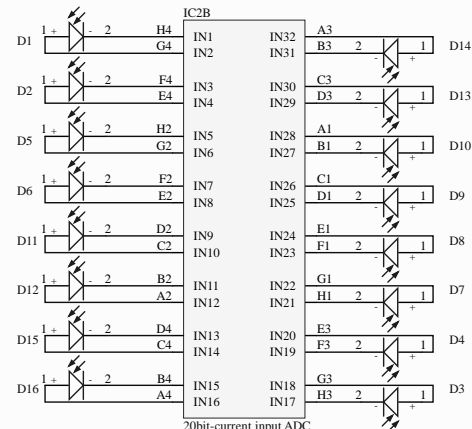
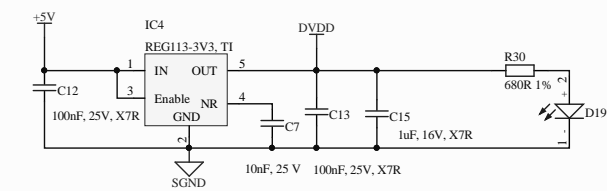


Input Power, 7-15 V



part number for female pins for photodiodes: MillMax 0566-1-15-15-21-27-10-0

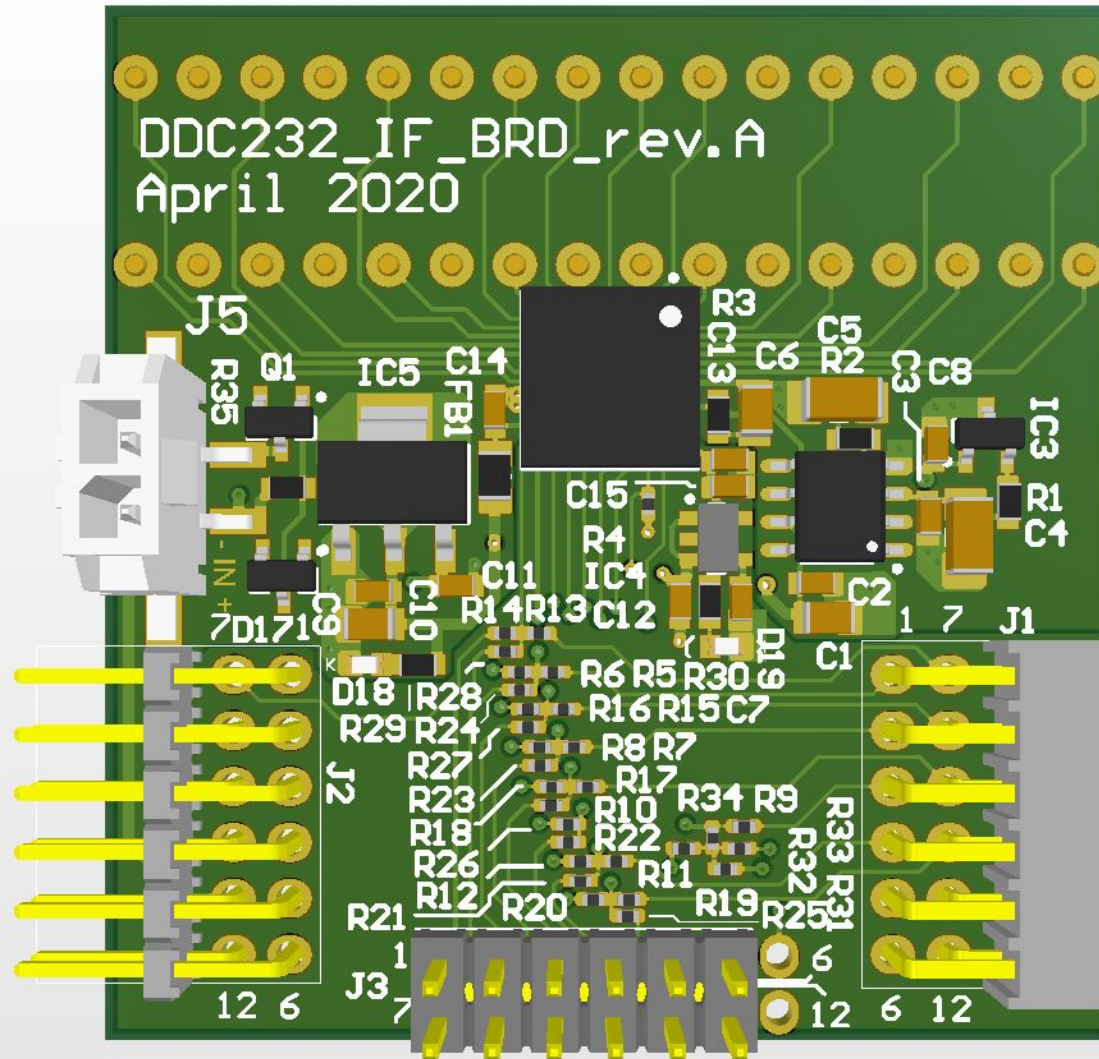
to last board

to first board (FPGA)

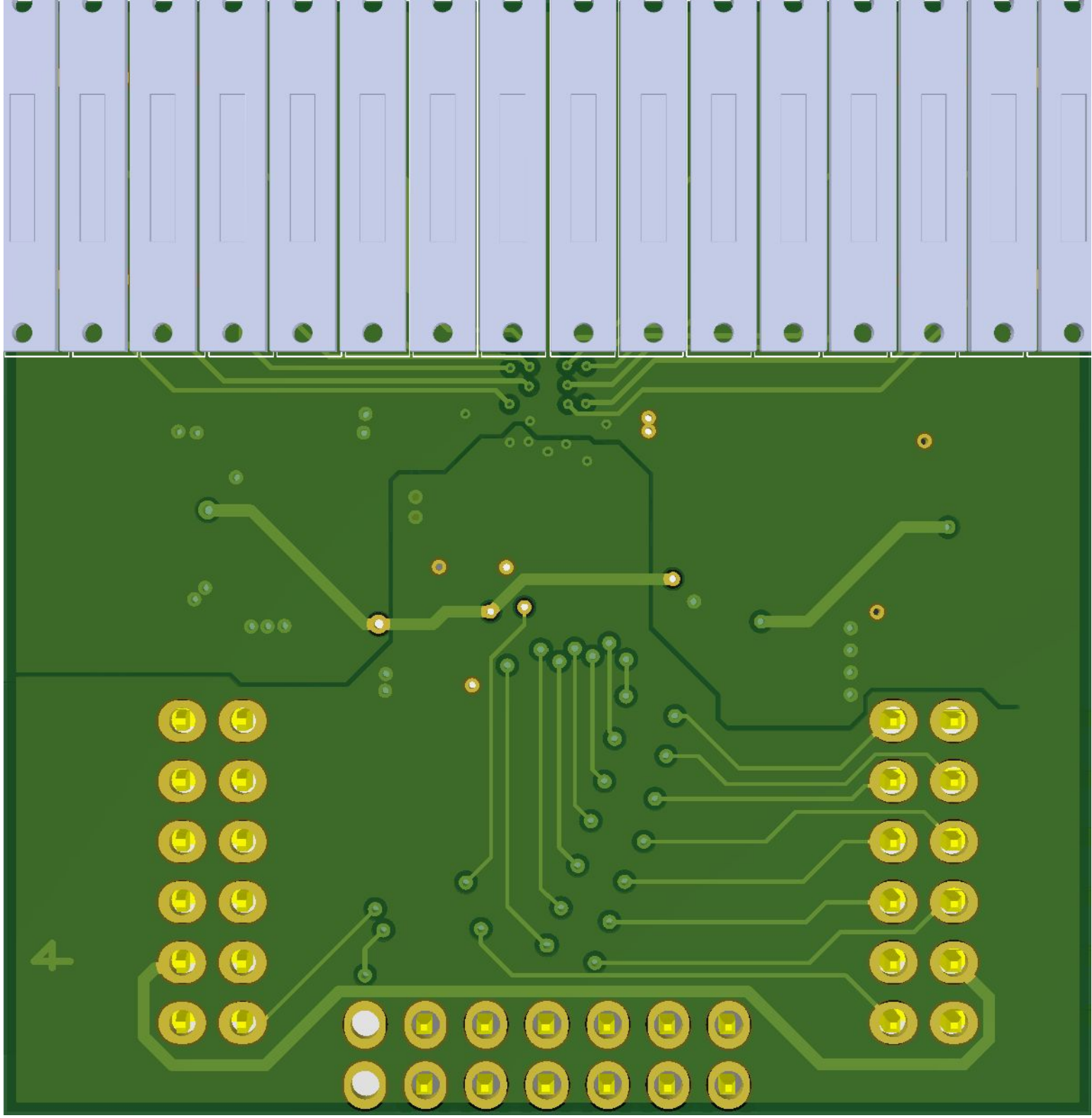
To FPGA Board

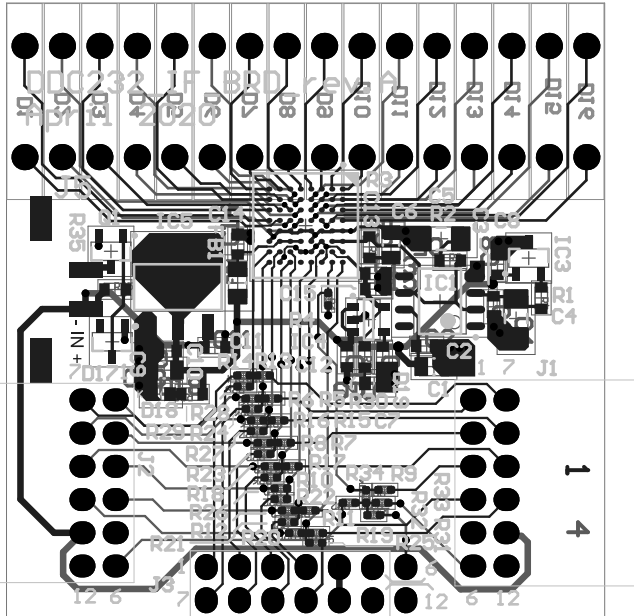
Two additional pins, because connector is to big

Drawn:	R&D	Martin Debevc	14.4.2020
Checked:	-	Marko Levičnik	-
Issued:	-	-	-
Acceptance:	-	-	-
Title: DDC232_IF_BRD			
Size: A3		Type: SCH	REV: A
DWG NO.:		Sheet 1 of 1	



Layer	Name
	Top C
	Top S
1	Top L
	Diele
2	Layer
	Diele
3	Layer
	Diele
4	Botto
	Botto
	Botto





Layer	Name	Material	Thickness	Constant	Board Layer Stack
	Top Overlay				
	Top Solder	Solder Resist	0,010mm	3,5	
1	Top Layer 1	Copper	0,036mm		
	Dielectric 2	PP-006	0,100mm	4,1	
2	Layer 2	Copper	0,035mm		
	Dielectric 1	FR-4	1,200mm	4,8	
3	Layer 3	Copper	0,035mm		
	Dielectric 3	PP-006	0,100mm	4,1	
4	Bottom Layer 4	Copper	0,036mm		
	Bottom Solder	Solder Resist	0,010mm	3,5	
	Bottom Overlay				