
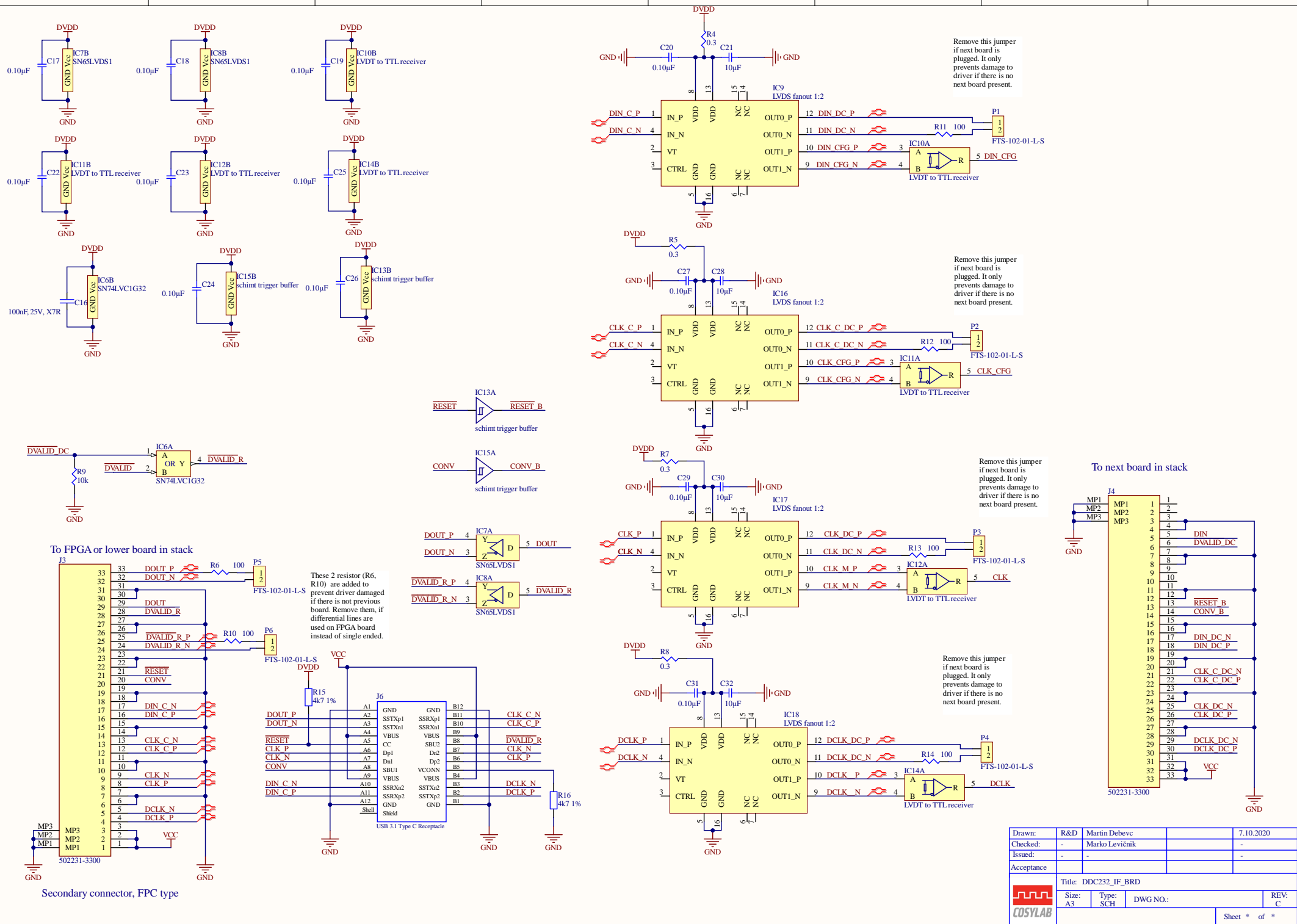


part number for female pins for photodiodes: MillMax 0566-1-15-15-21-27-10-0

Drawn:	R&D	Martin Debevc	7.10.2020
Checked:	-	Marko Levičnik	-
Issued:	-	-	-
Acceptance			


 Title: DDC232_IF_BRD
 Size: A3 Type: SCH DWG NO.: REV: C
 Sheet 1 of 1



Drawn:	R&D	Martin Debevc	7.10.2020
Checked:	-	Marko Levičnik	-
Issued:	-	-	-
Acceptance:			

Title: DDC232_IF_BRD			
Size: A3	Type: SCH	DWG NO.:	REV: C
COSYLAB			Sheet * of *

DDC232_IF_BRD_rev.C

Drawn by: M. Debevc

October 2021

Stacking direction

