

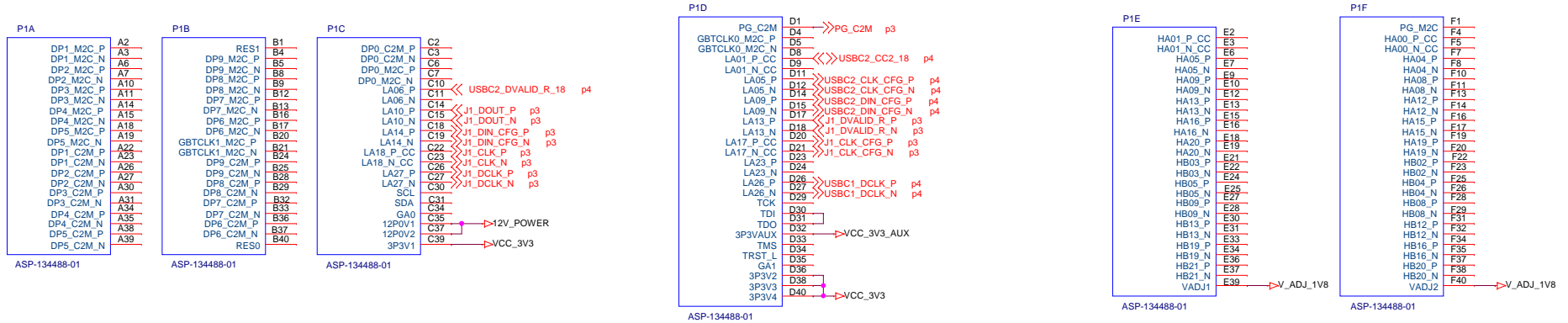
FMC to USB-C and Molex FPC adapter board

SHEET	TITLE
1	TITLE PAGE
2	HPC connector
3	POWER, FPC connectors
4	USB-C connectors

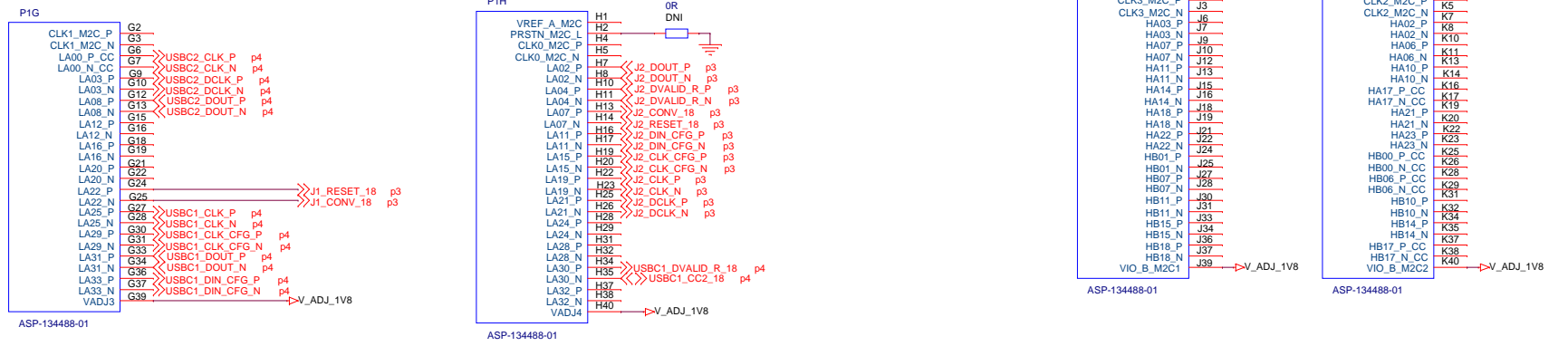
DATE	REVISIONS DESCRIPTION	DRAWN	REV
11.10.2021	Initial version	mlevicnik	A

DRAWN	Marko Levicnik	11.10.2021
CHECKED	Martin Debevc	12.10.2021
APPROVED	NOT_YET	
Title FMC to USB-C and Molex FPC adapter board		
Size	Type	REV.
A3	SE	A
DWG.NO.		SHEET
		1 OF 4

HPC connector, only LPC pins are used (C, D, G, H)

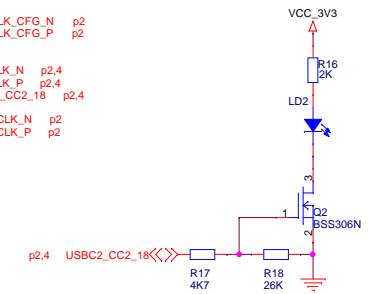
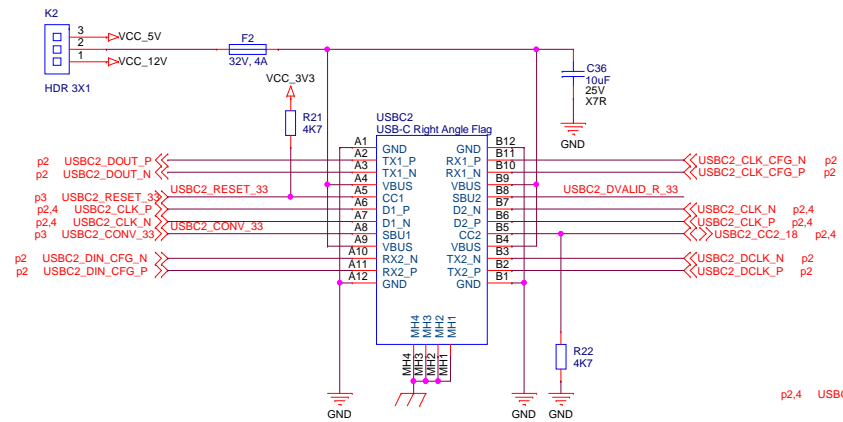
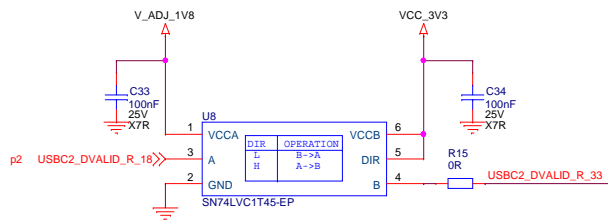
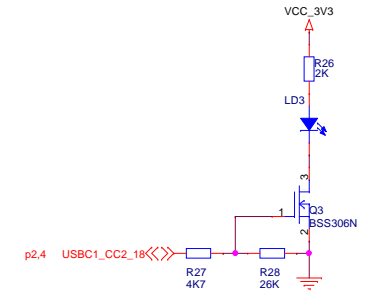
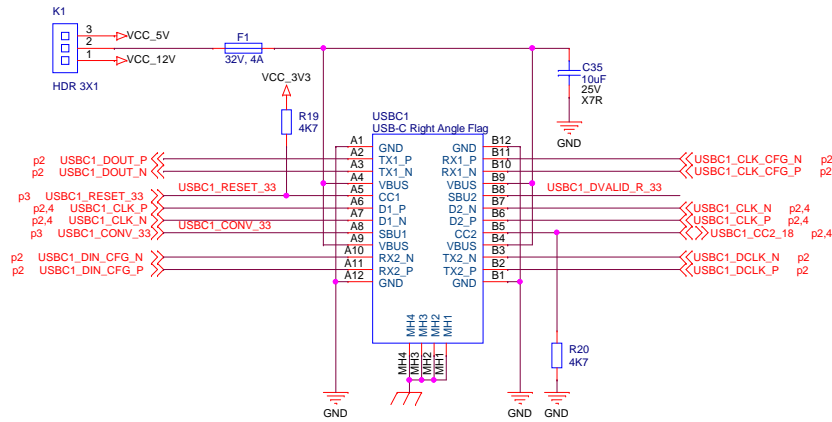
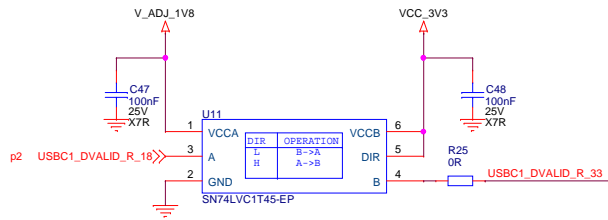


If no cards are attached to the FMC ports, the VADJ voltage is set to 1.8V



Title				REV. A
HPC connector				
Size	Type	DWG.NO.		
A3	SE			
SHEET				2 OF 4

USB-C extension connectors 1, 2



Title			REV. A
USB-C extension connectors			
Size	Type	DWG.NO.	SHEET 4 OF 4
A3	SE		