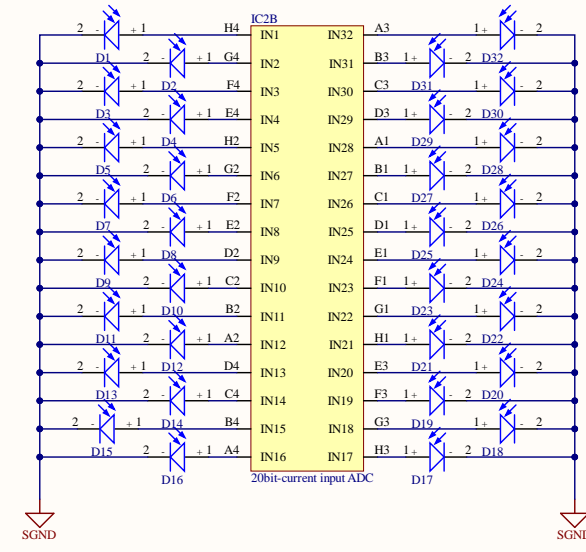
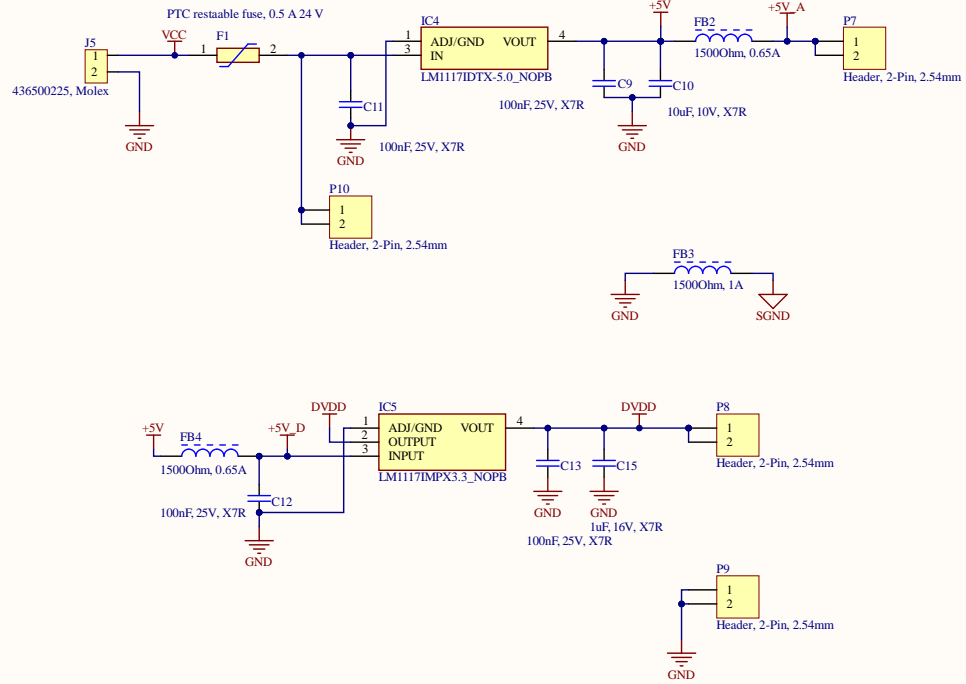
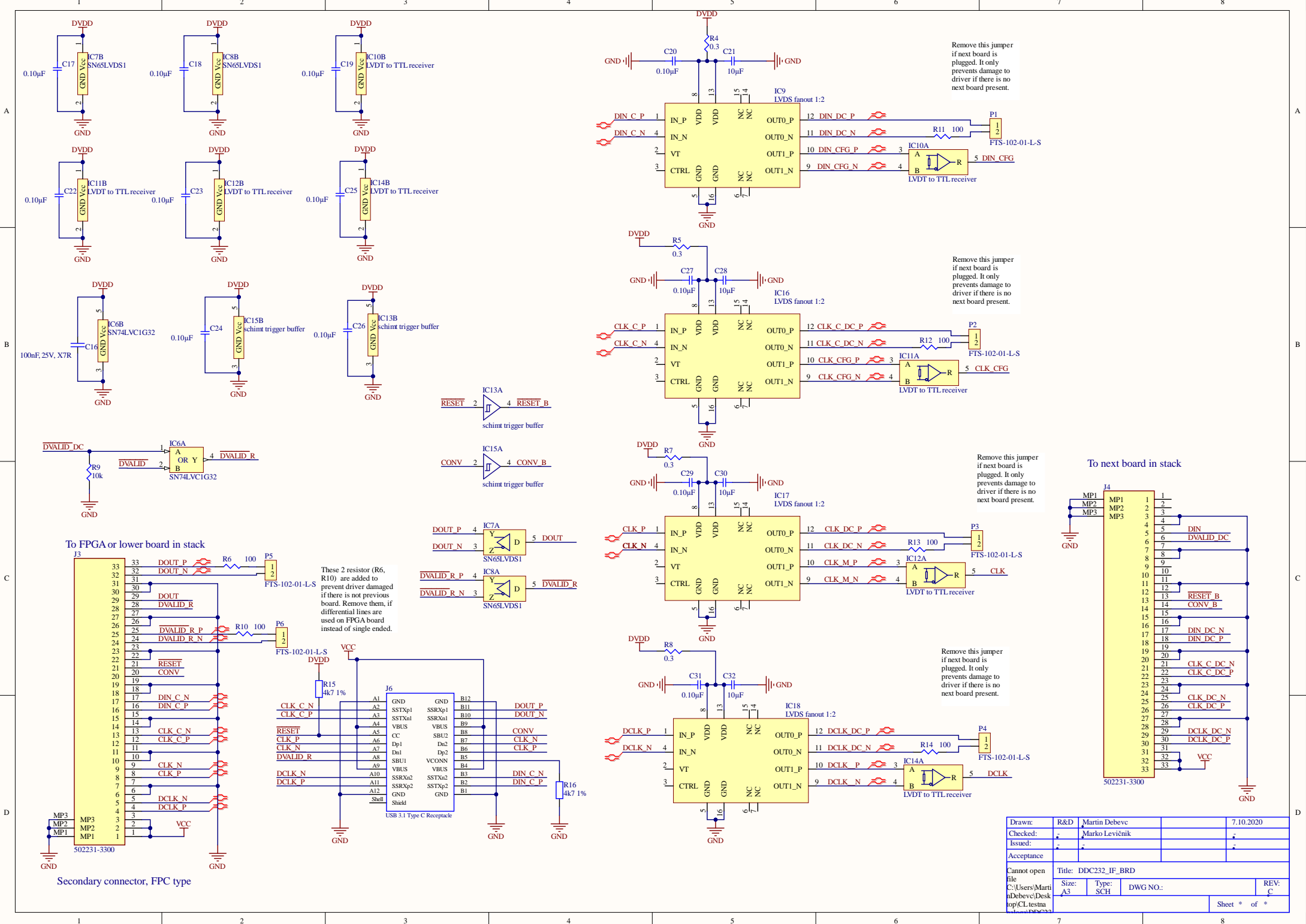


Input Power, 7-15 V



part number for female pins for photodiodes: MillMax 0566-1-15-15-21-27-10-0

Drawn:	R&D	Martin Debevc	7.10.2020
Checked:		Marko Levičnik	
Issued:			
Acceptance			
Cannot open file	Title: DDC232_IF_BRD		
C:\Users\Martin\Debevc\Desktop\CLtestna	Size: A3	Type: SCH	DWG NO.:
			REV: C
			Sheet 1 of 1

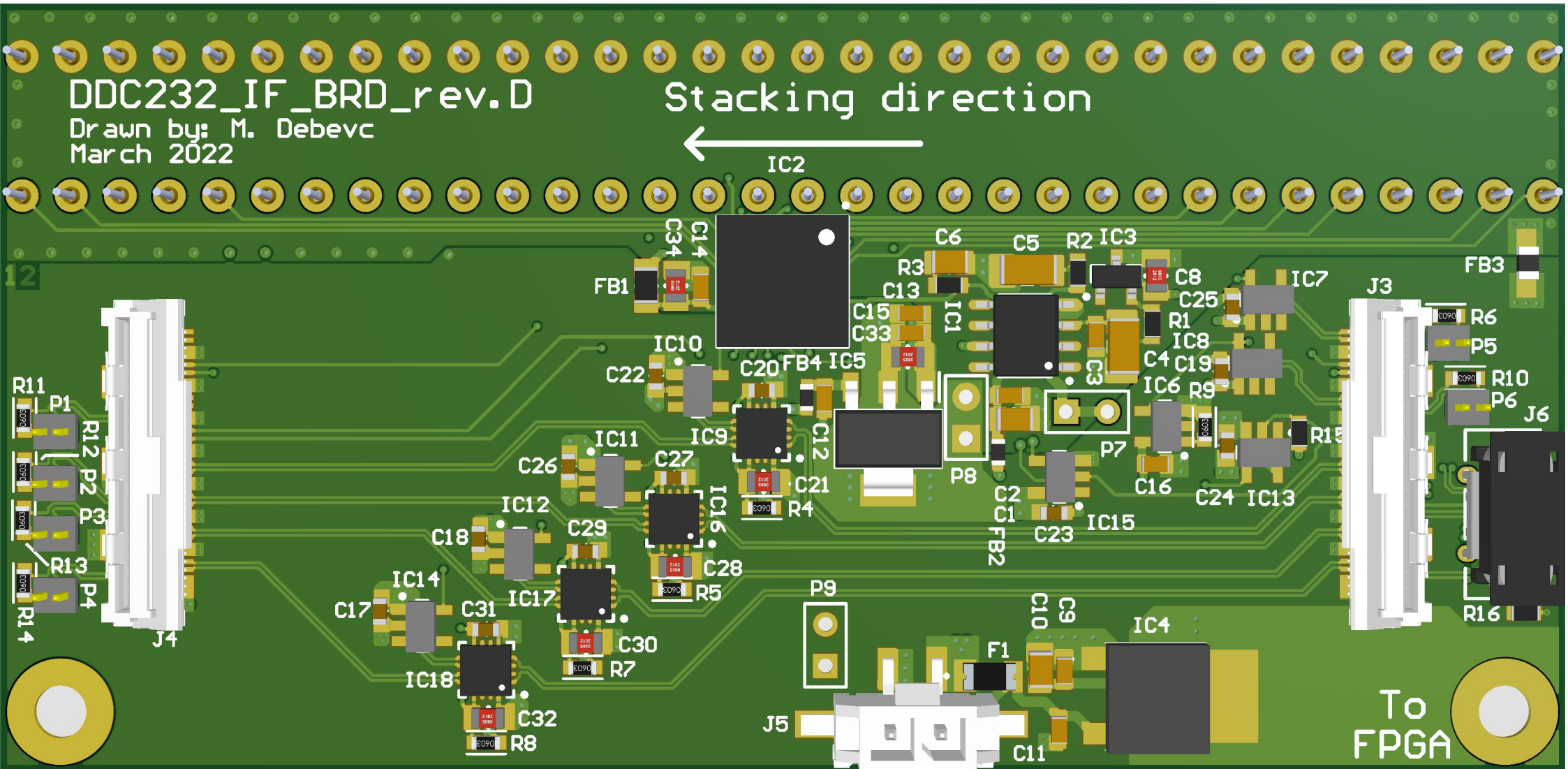


Drawn:	R&D	Martin Debevc	7.10.2020
Checked:	✓	Marko Levičnik	
Issued:	✓		
Acceptance:			
Cannot open file	Title: DDC232_IF_BRD		
C:\Users\Martin\Debevc\Desktop\CLtestna	Size: A3	Type: SCH	DWG NO.: REV: C
			Sheet * of *

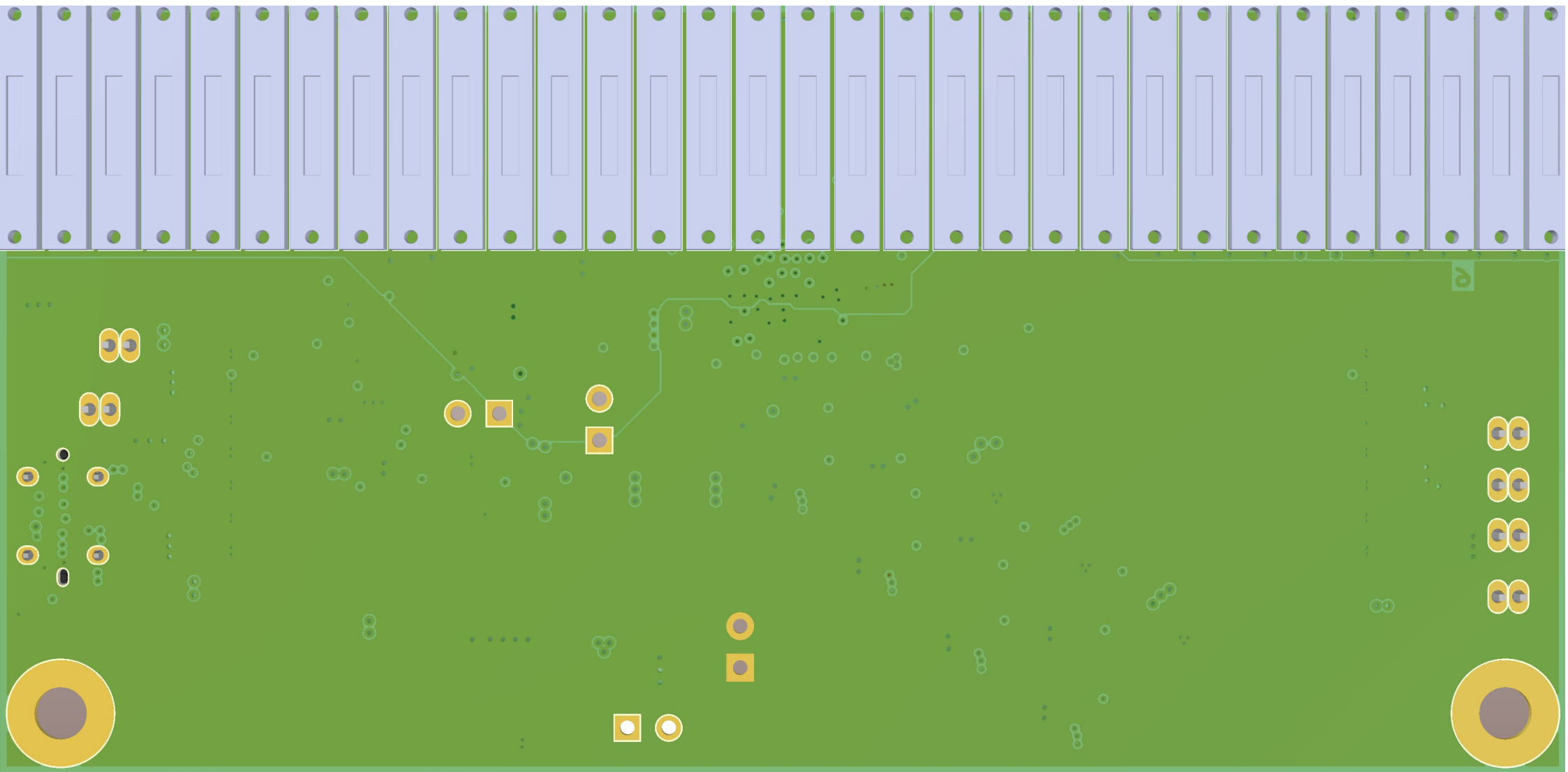
DDC232\_IF\_BRD\_rev.D

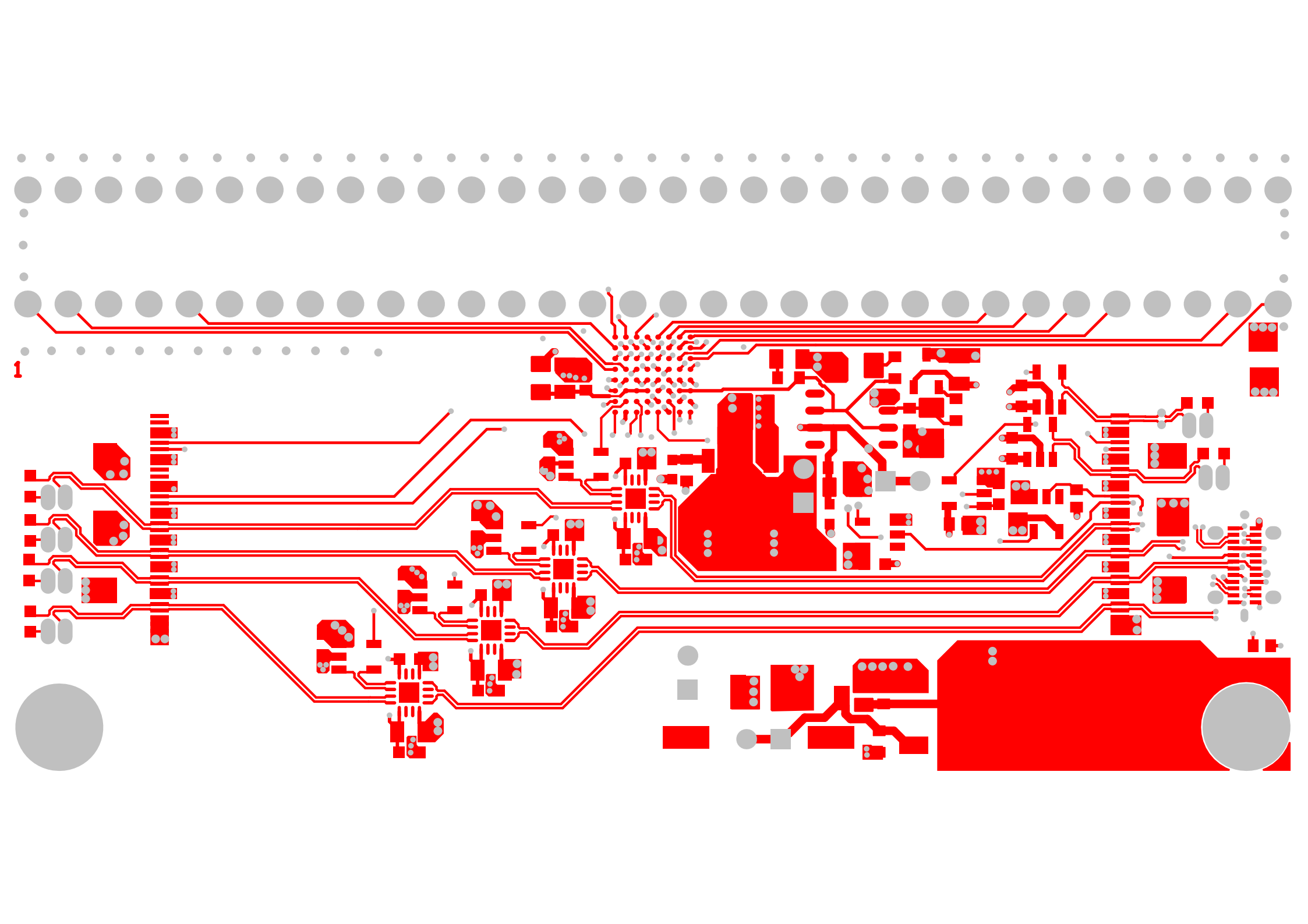
Drawn by: M. Debevc  
March 2022

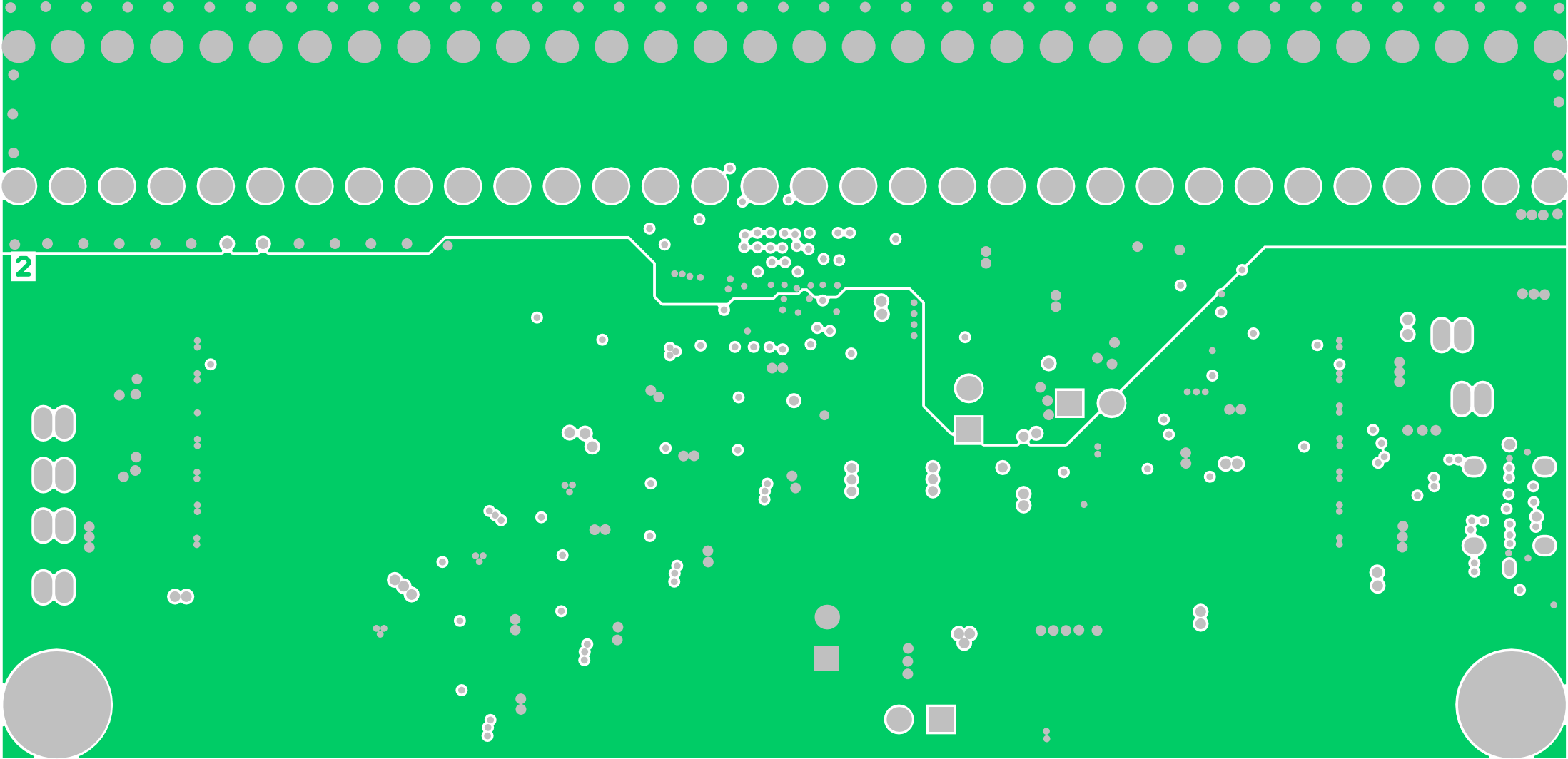
Stacking direction

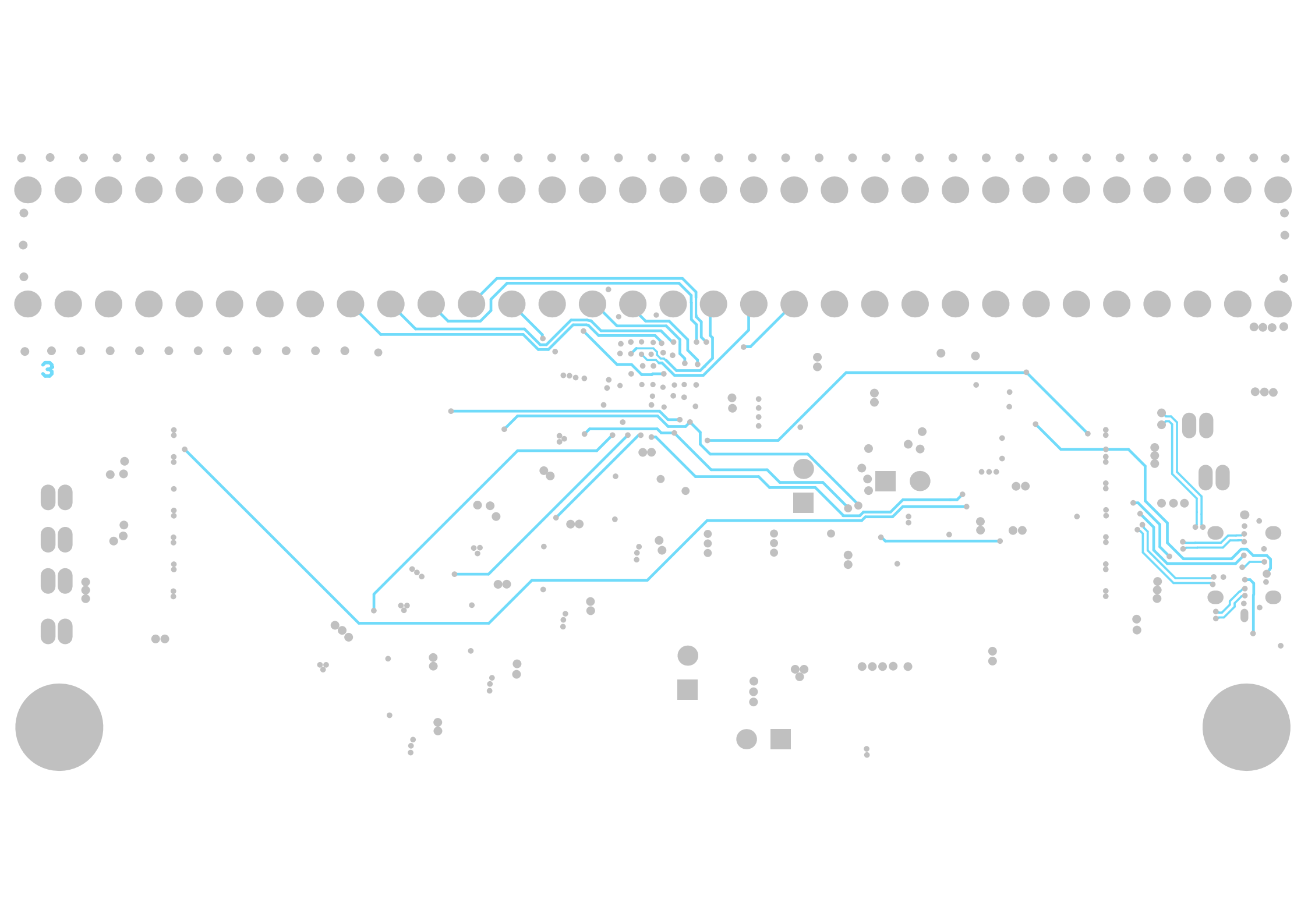


To  
FPGA

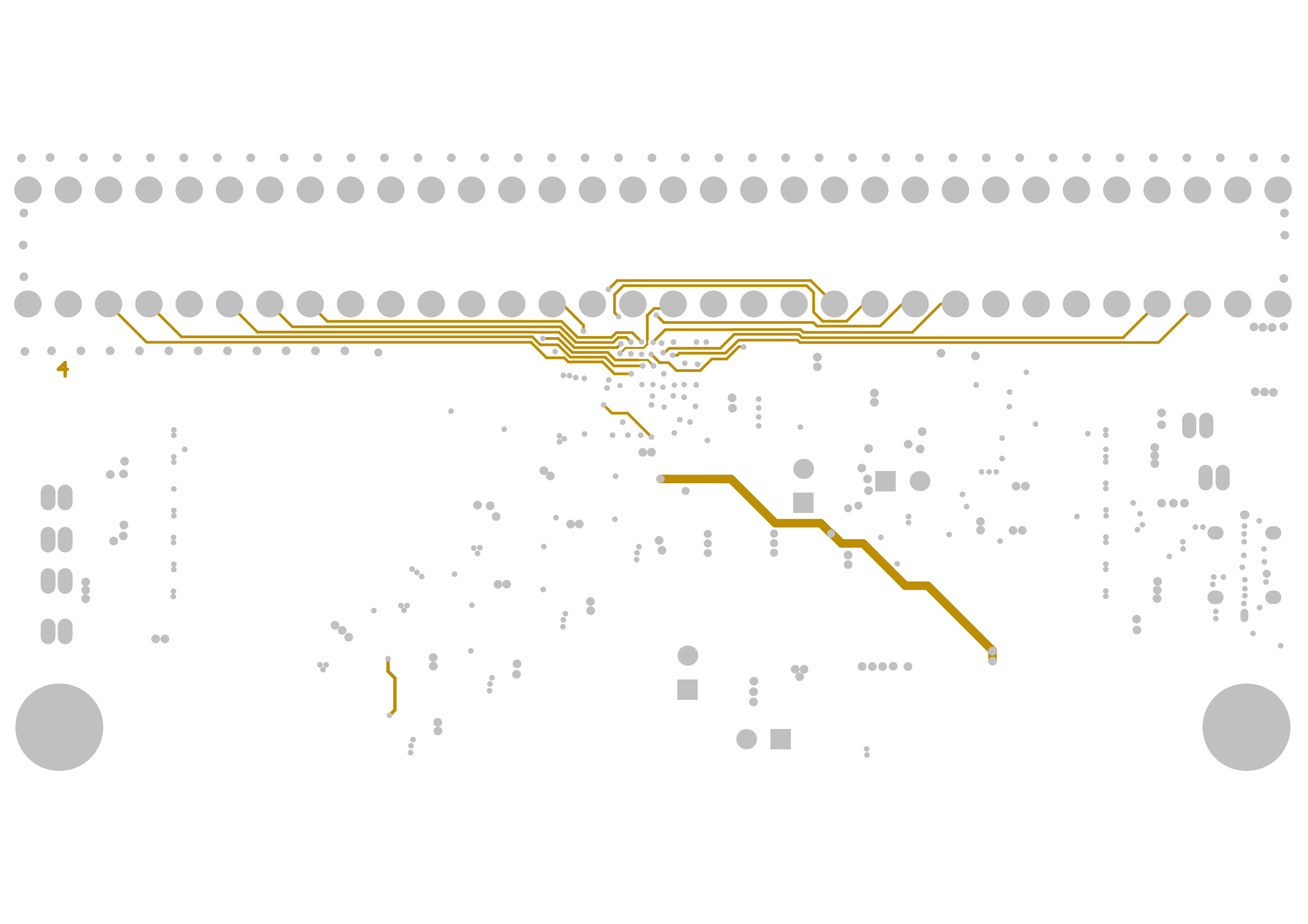








3



4



