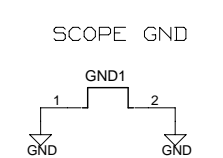
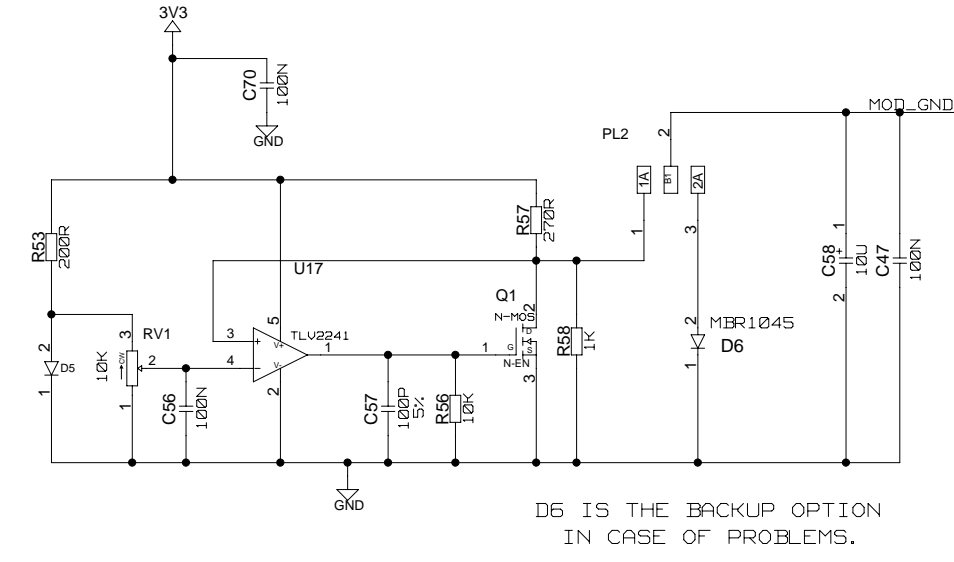
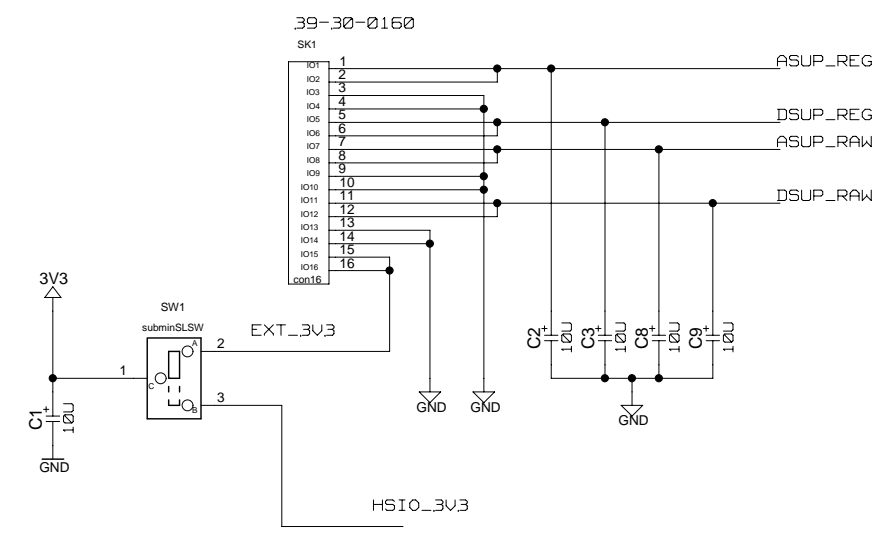
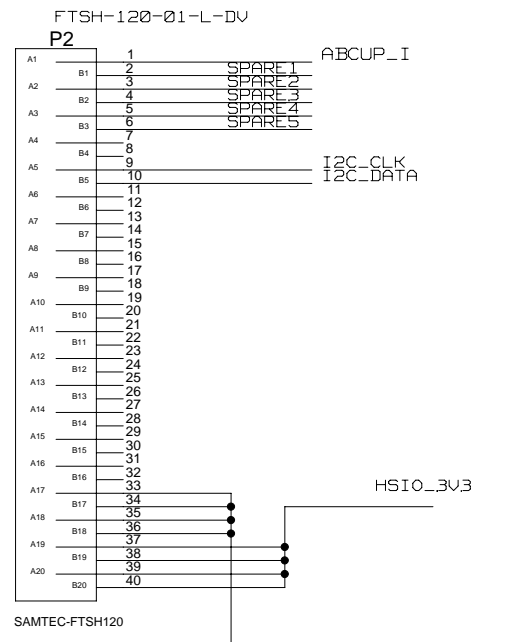
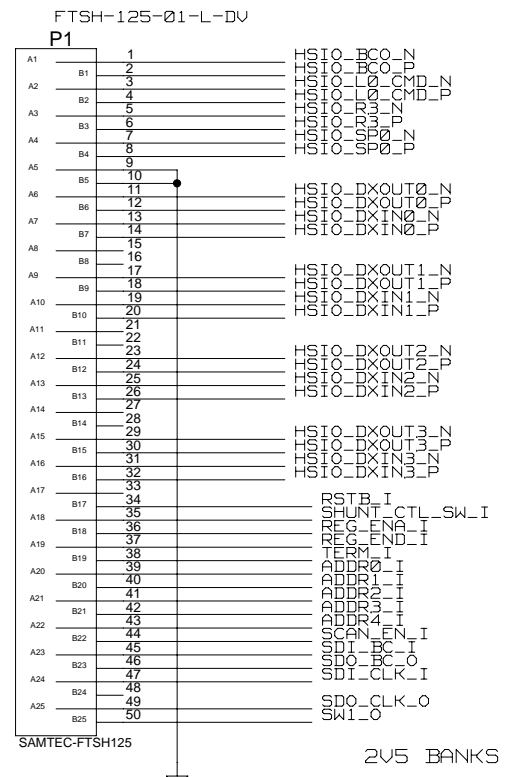
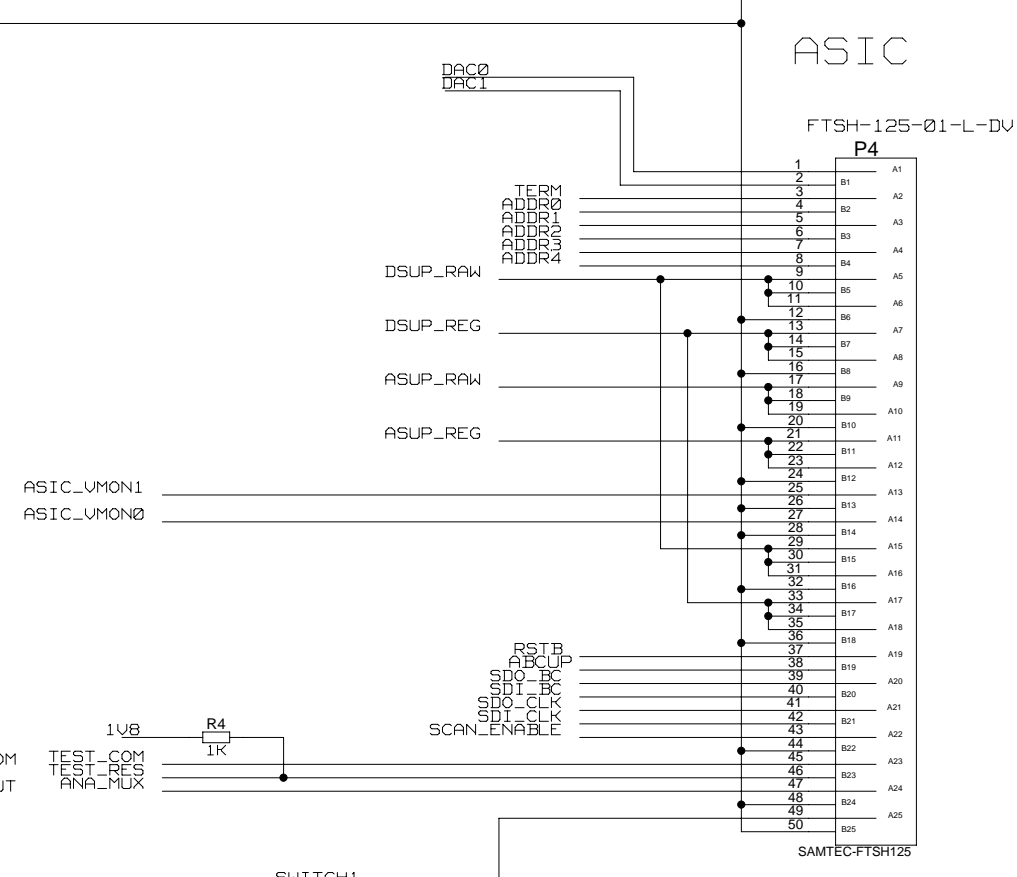
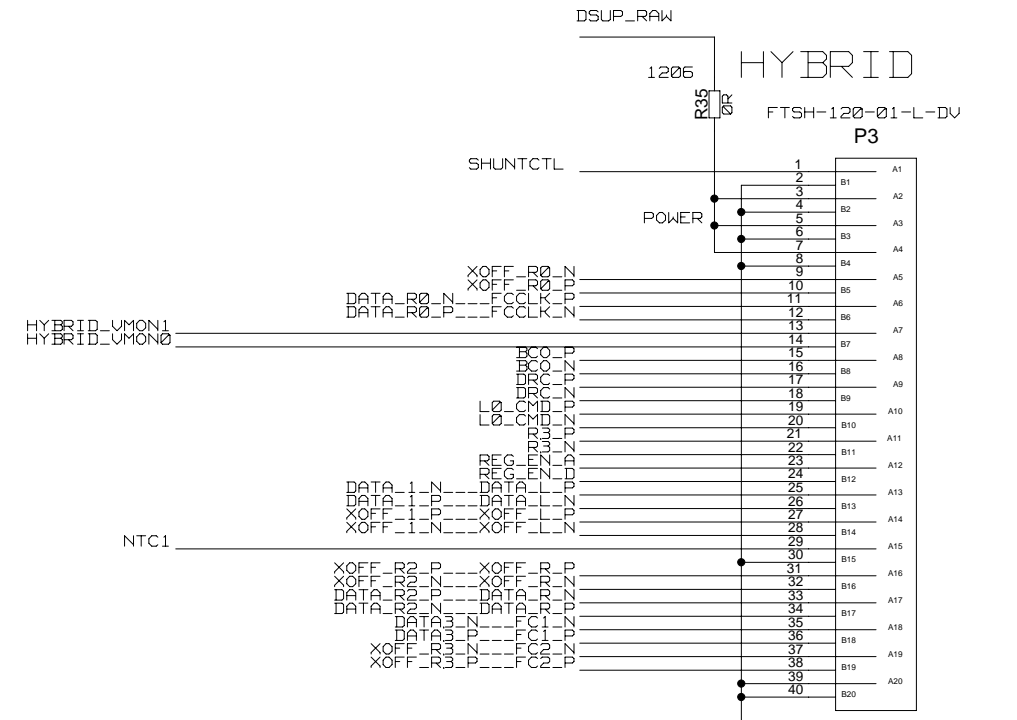
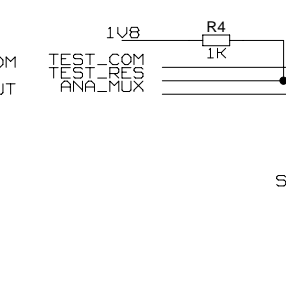


HSIO\_EOS\_P1

HSIO\_EOS\_P2



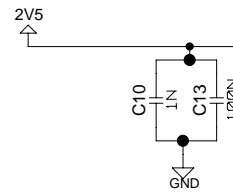
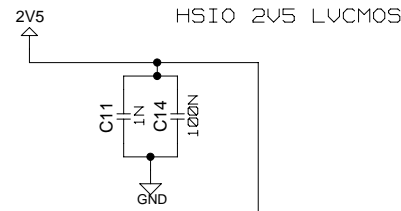
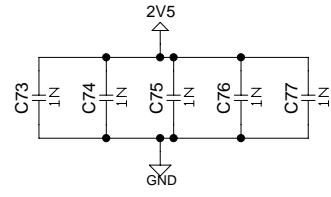
0 TO 160MV TESTCOM  
0 TO 900MV AMUXOUT



Mon Sep 09 11:56:31 2013

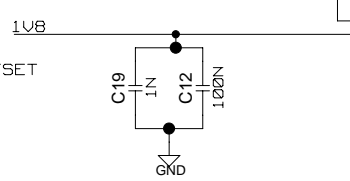
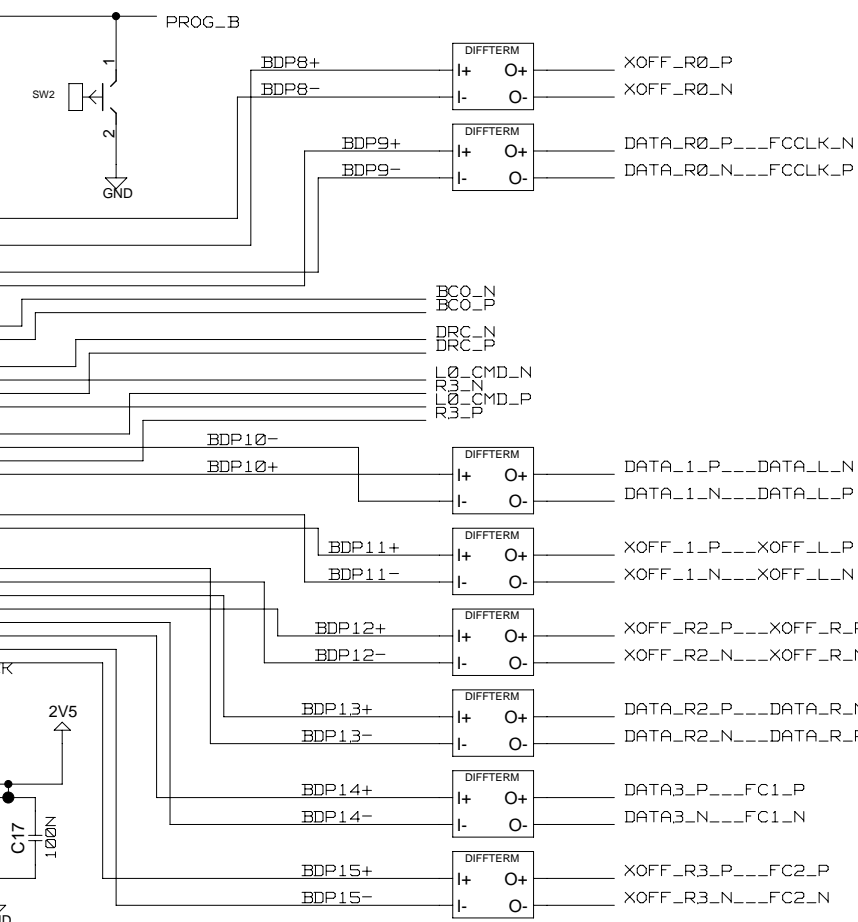
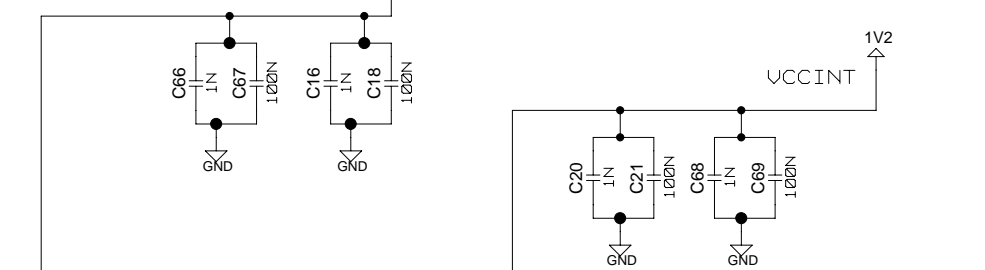
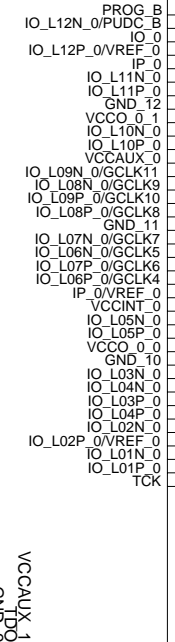
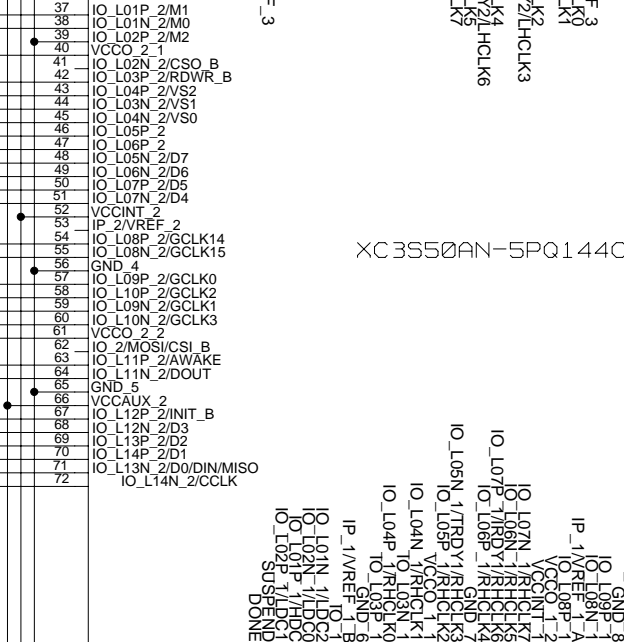
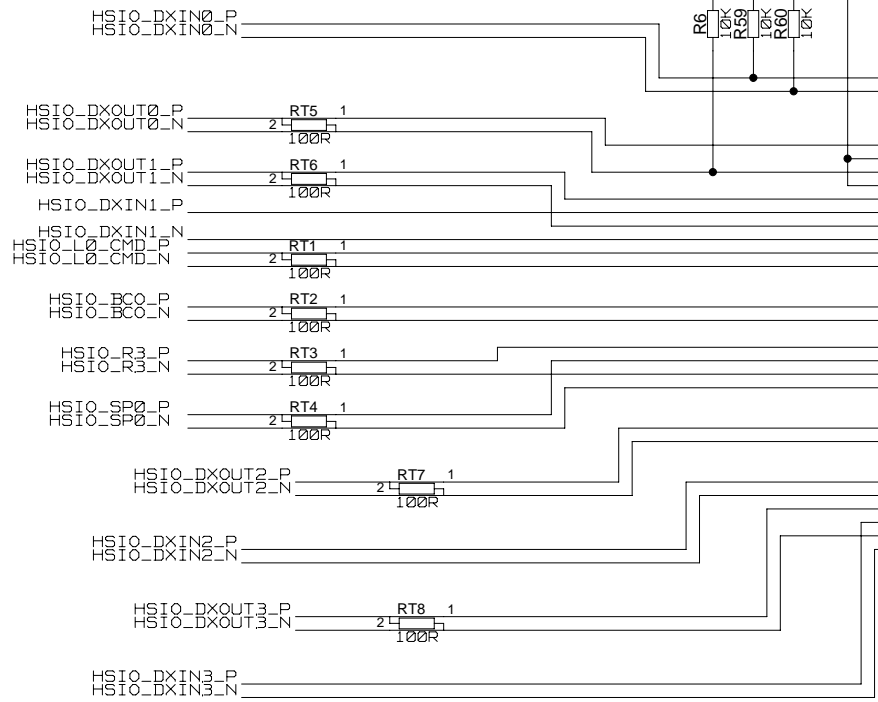
DRAWING TITLE		
abc130_driver		
I/O CONNECTORS		
SIZE	REV.	DRAWING NO.
A2		
SCALE	SHEET 1 OF 4	

2 DCMS @ TOP ONLY  
 LVDS BANKS 0 & 2 ONLY  
 BLVDS ON ALL BANKS



JUMPER SETTINGS  
 FOR INTERNAL SPI  
 CONFIG

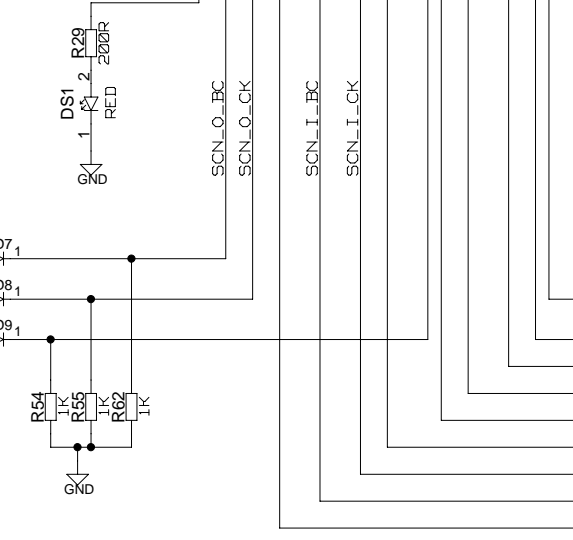
AT CONFIG  
 M2: 0 = 0:1:1  
 VS2: 0 = 1:X:1  
 PULLED TO VCCO2



ASIC 1V2 LVCMOS

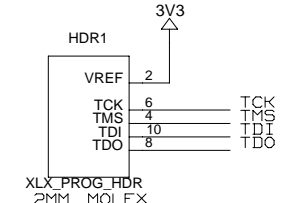


FROM ASIC



TO ASIC

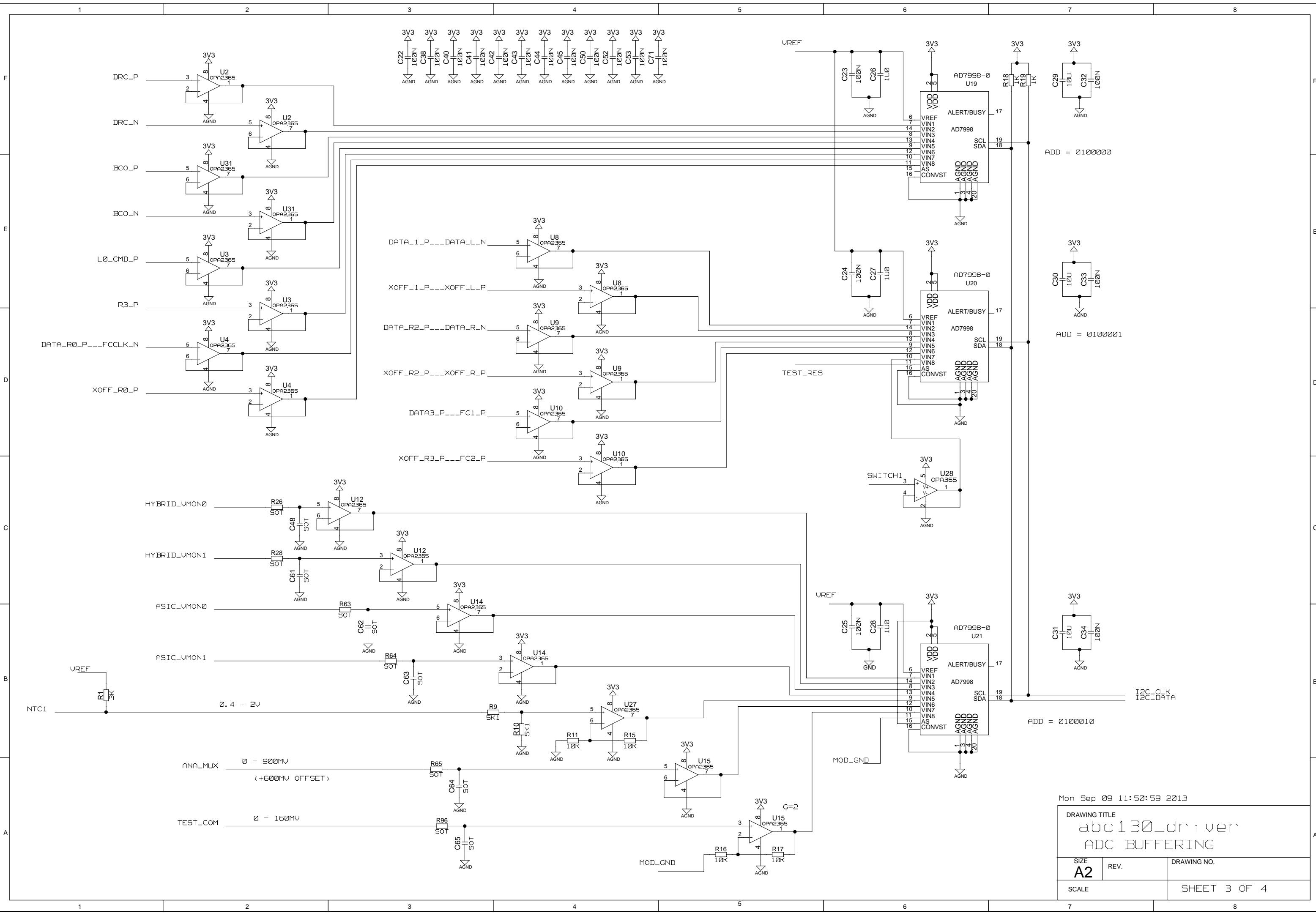
VOL MAX 0.4  
 VOH MIN VCCO - 0.4  
 ASIC SEES 0.27 TO 0.93



VIL MAX 0.4  
 VIH MIN 0.7

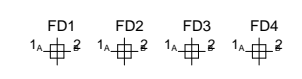
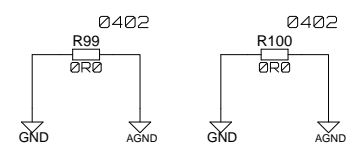
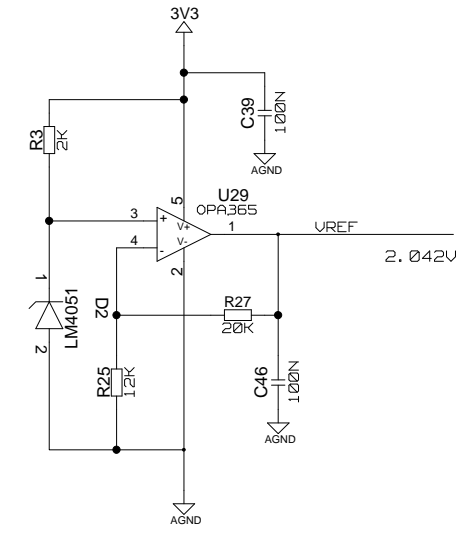
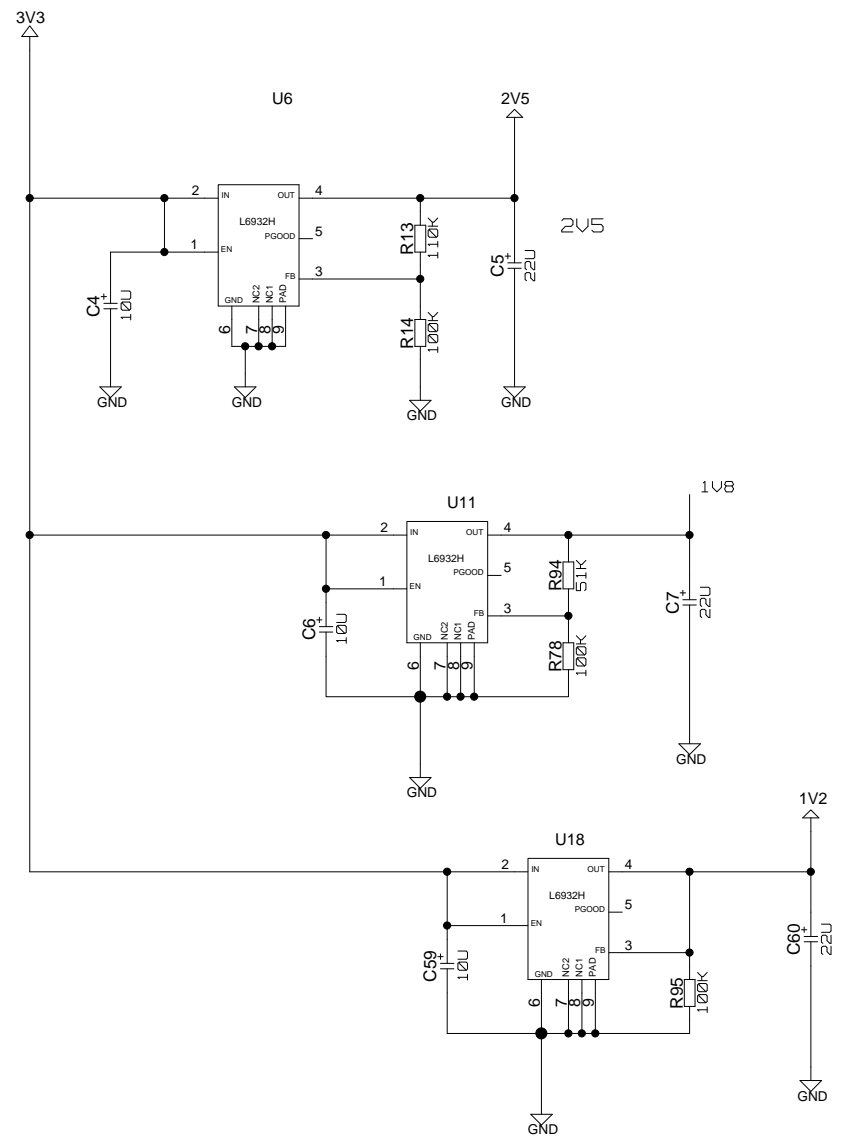
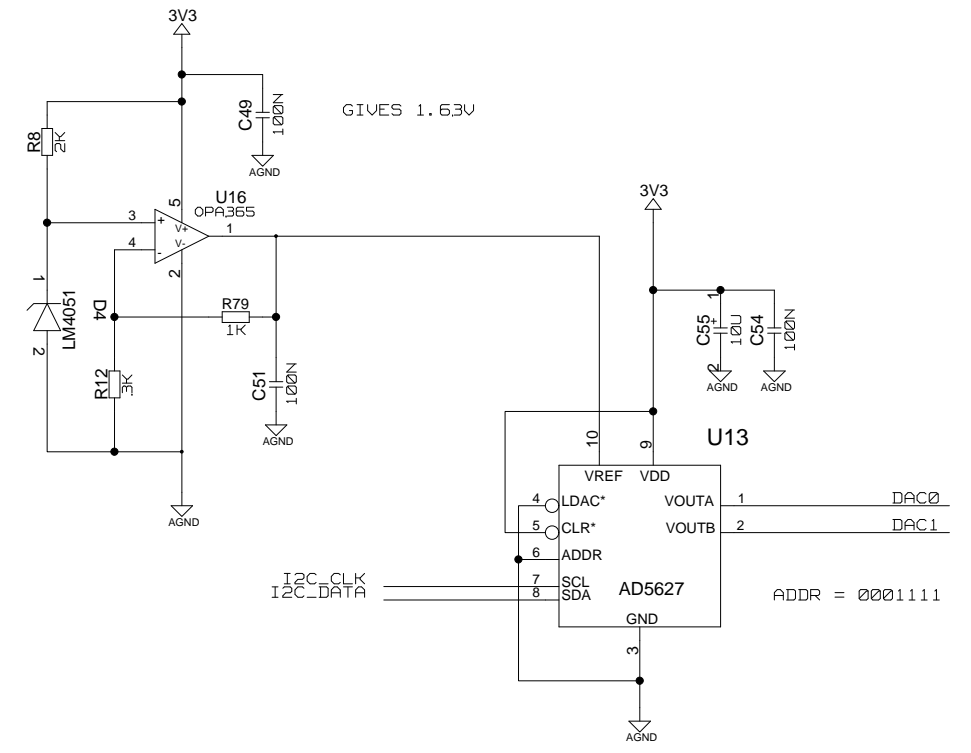
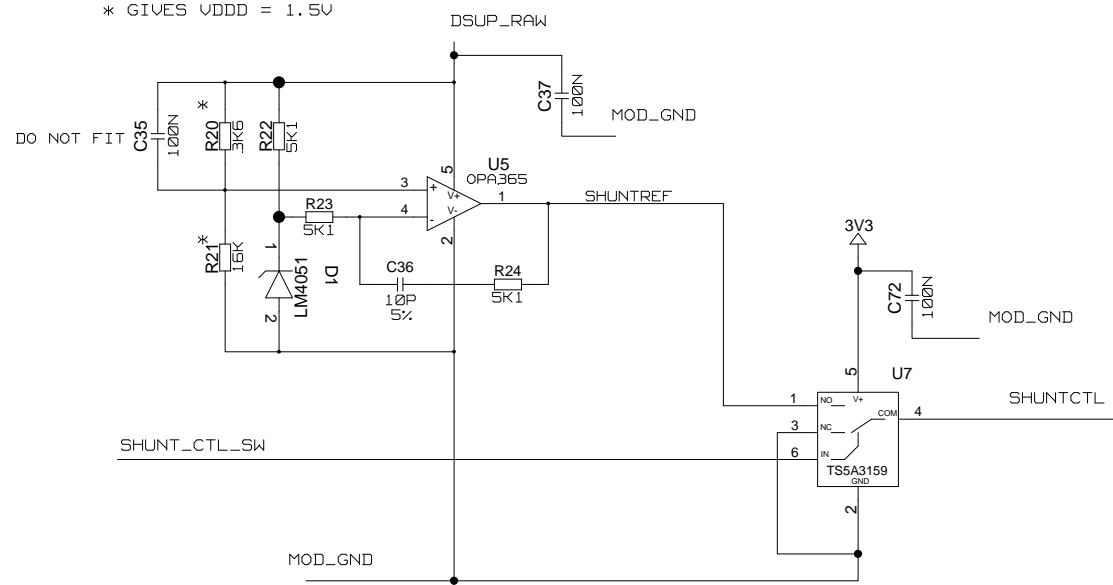
Mon Sep 09 11:50:56 2013

DRAWING TITLE		
abc130_driver		
SIZE	REV.	DRAWING NO.
A2		
SCALE	SHEET 2 OF 4	



Mon Sep 09 11:50:59 2013

DRAWING TITLE		
abc130_driver		
ADC BUFFERING		
SIZE	REV.	DRAWING NO.
A2		
SCALE	SHEET 3 OF 4	



Mon Sep 09 11:51:01 2013

DRAWING TITLE		
abc130_driver		
POWER AND REFERENCES		
SIZE	REV.	DRAWING NO.
A2		
SCALE	SHEET 4 OF 4	