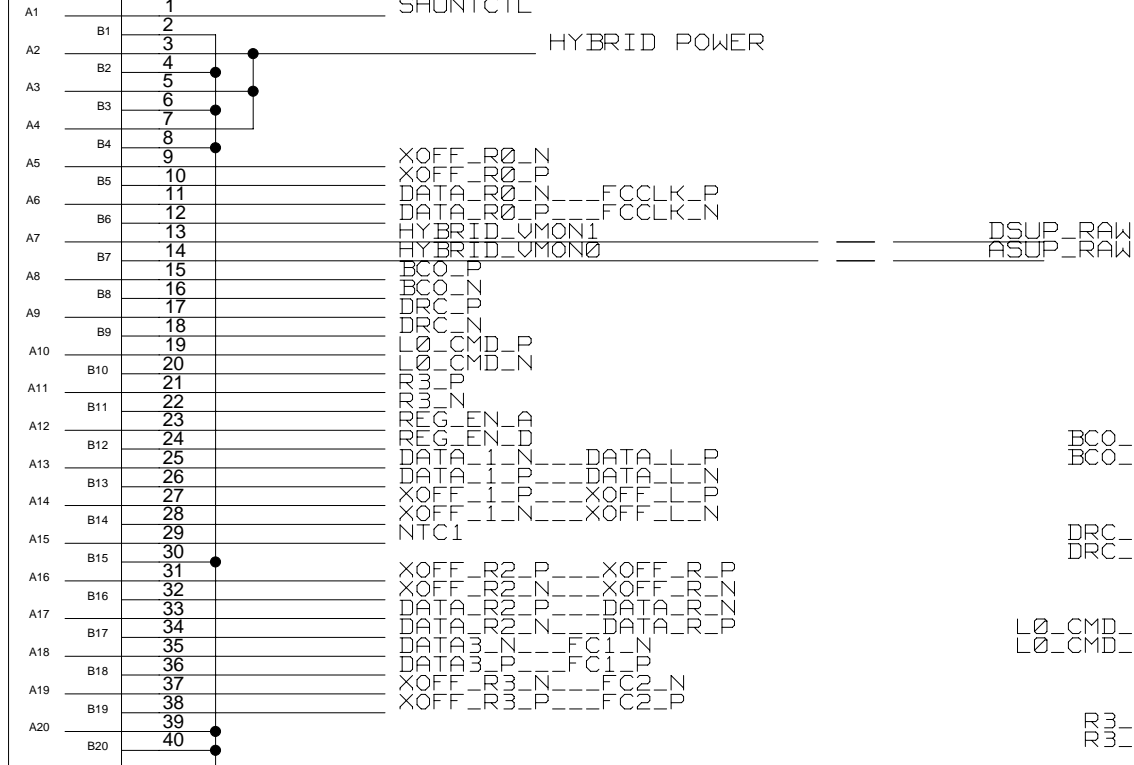


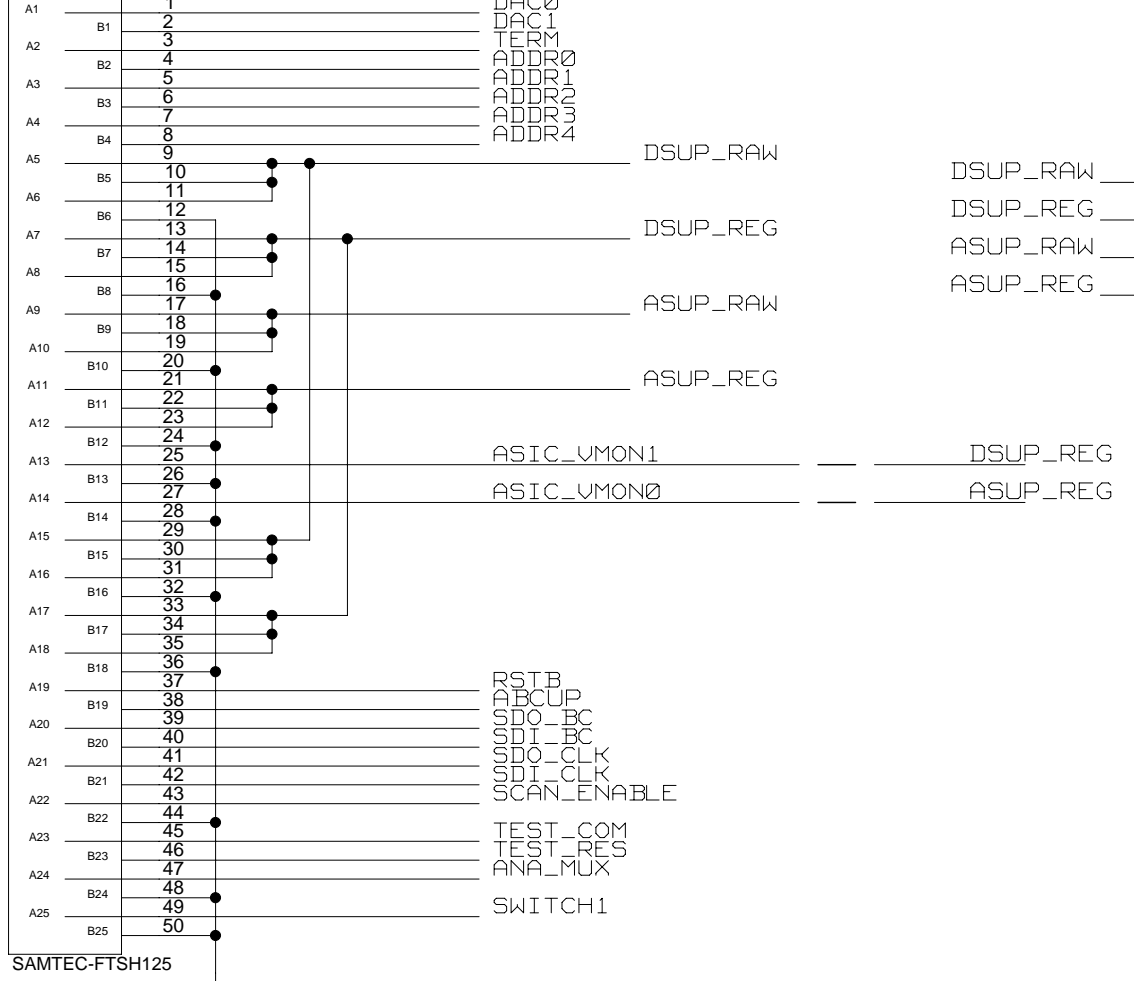
HYBRID

P3



SAMTEC-FTSH120

P4

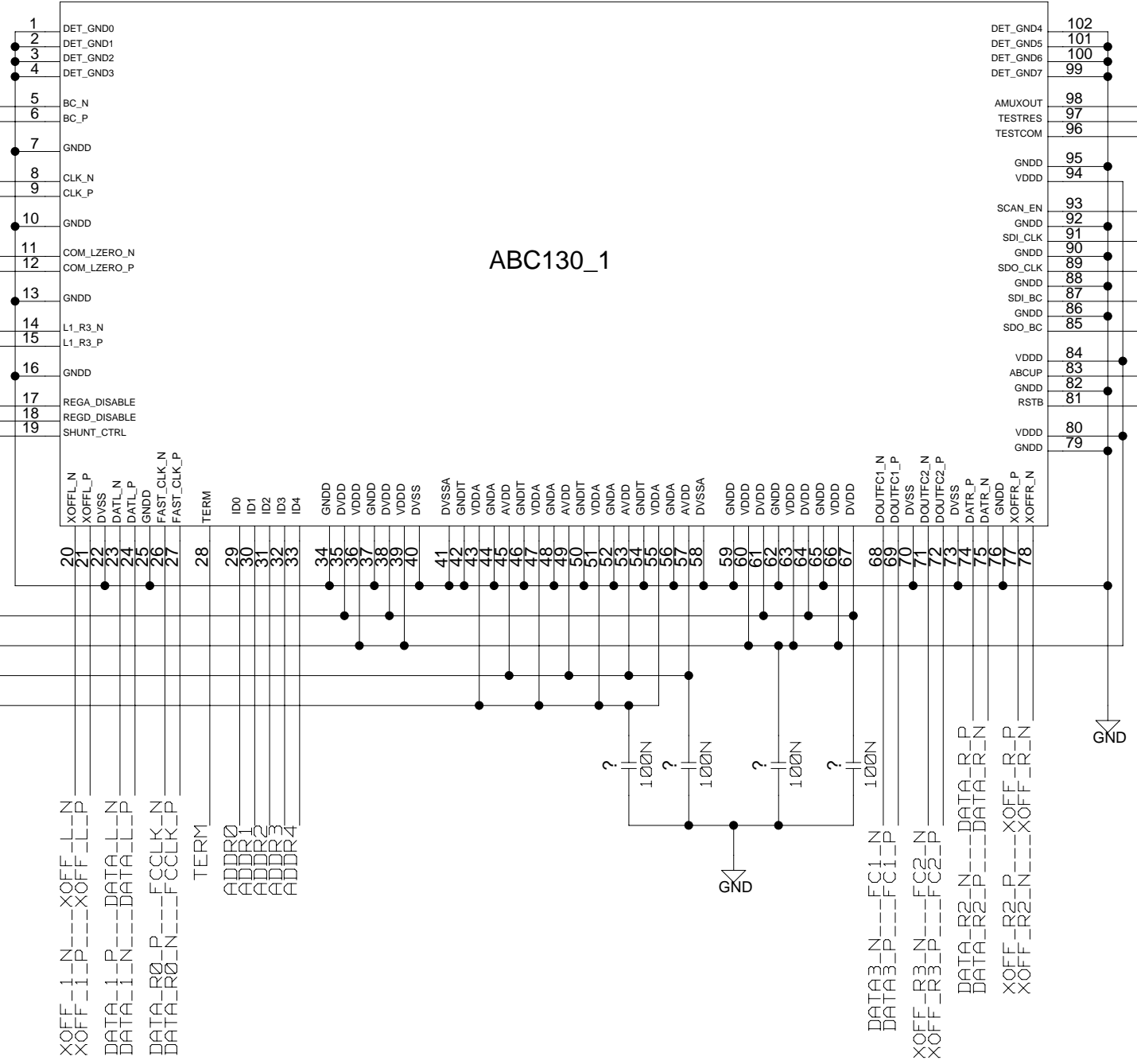


SAMTEC-FTSH125

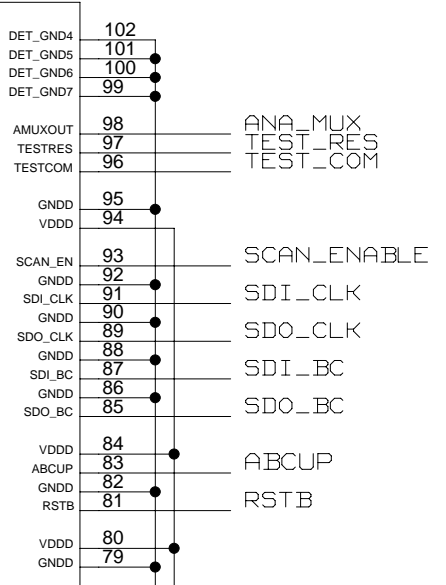
FTSH-120-01-L-DV

FTSH-125-01-L-DV

ABC130_1



U1



ASIC